



Catalog

Extra small for cost effective solutions Mini contactors and mini contactor relays



B mini contactors

K mini contactor relays

With screw terminals

3-pole contactors	
B6, B7 AC operated	3/4
BC6, BC7, B7D DC operated	3/5
3-pole reversing contactors	
VB6, VB7 AC operated	3/6
VBC6, VBC7 DC operated	3/7
VB6A, VB7A AC operated	3/8
VBC6A, VBC7A DC operated	3/9
3-pole interface contactors	
BC6, BC7 DC operated	3/10
3-pole contactors - large coil voltage range	
TBC7 DC operated	3/11
4-pole contactors	
B6, B7 AC operated	3/12
BC6, B7D DC operated	3/13
4-pole contactors - large coil voltage range	
TBC7 DC operated	3/14
Contactors relays	
K6 AC operated	3/15
KC6 DC operated	3/16
Interface contactor relays	
KC6 DC operated	3/17
Contactors relays - large coil voltage range	
TKC6 DC operated	3/18

With soldering pins

3-pole contactors	
B6, B7 AC operated	3/19
BC6, BC7 DC operated	3/20
3-pole reversing contactors	
VB6, VB7 AC operated	3/21
VBC6, VBC7 DC operated	3/22
VB6A, VB7A AC operated	3/23
VBC7A DC operated	3/24
Contactors relays	
K6 AC operated	3/25
KC6 DC operated	3/26
3-pole interface contactors	
BC6, BC7 DC operated	3/27
Interface contactors relays	
KC6 DC operated	3/28

With flat pin connection

3-pole contactors	
B6, B7 AC operated	3/29
BC6, BC7 DC operated	3/30
3-pole reversing contactors	
VB7 AC operated	3/31
VBC7 DC operated	3/32
VB7A AC operated	3/33
VBC7A DC operated	3/34
3-pole interface contactors	
BC6, BC7 DC operated	3/35
Contactors relays	
K6 AC operated	3/36
KC6 DC operated	3/37
Interface contactors relays	
KC6 DC operated	3/38

Accessories	3/39
--------------------	------

Technical data	3/41
-----------------------	------

Mini contactors



3

				Screw terminals			
AC Control supply							
3-pole contactors	Coil consumption 3.5 W	Type	B6	B7	-	-	
3-pole reversing contactors	Coil consumption 3.5 W	Type	-	-	VB6 VB6A ²⁾	VB7 VB7A ²⁾	
4-pole contactors	Coil consumption 3.5 W	Type	B6	B7	-	-	
DC Control supply							
3-pole contactors	Coil consumption 3.5 W	Type	BC6	BC7 B7D ¹⁾	-	-	
3-pole interface contactors	Coil consumption 1.4 ... 2.4 W	Type	BC6	BC7	-	-	
3-pole reversing contactors	Coil consumption 3.5 W	Type	-	-	VBC6 VBC6A ²⁾	VBC7 VBC7A ²⁾	
4-pole contactors	Coil consumption 3.5 W	Type	BC6	B7D			
Wide range types	Extended coil voltage and temperature	Type	-	TBC7			
PLC types	Coil consumption 1.7 W	Type	B6S ¹⁾	B7S ¹⁾			
IEC Rated operational power AC-3	220-230-240 V	kW	2.2	3	2.2	3	
	380-400 V	kW	4	5.5	4	5.5	
Rated operational current AC-1	400 V, $\theta \leq 40^\circ\text{C}$	A	20	20	20	20	
UL/CSA 3-phase motor rating	220-240 V AC	hp	2	3	2	3	
	440-480 V AC	hp	3	5	3	5	
General use rating		A	12 (300 V)	16 (600 V)	12 (300 V)	16 (600 V)	

¹⁾ With integrated surge suppressor

²⁾ With safety blocking function

Main accessories

Auxiliary contact blocks	Front mounting	CAF6
	Side mounting	CA6
Connection sets	For reversing contactors	BSM6-30
Surge suppressors	Varistor (AC/DC)	RV-BC6

Overload relays

Thermal overload relays	Class 10	T16
Thermal and phase failure protection, with single setup possible		
Electronic overload relays	Class 10E, 20E, 30E	E16DU
With single setup possible		

Manual motor starters

Thermal / magnetic protection	Class 10	MS116, MS132
Magnetic only types		MO132
Connecting link to manual motor starters		BEA7/132

Contactor relays



				Screw terminals			
AC Control supply							
4-pole contactor relays	Coil consumption 3.5 W	Type	K6				
DC Control supply							
4-pole contactor relays	Coil consumption 3.5 W	Type	KC6				
4-pole interface contactor relays	Coil consumption 1.4 ... 2.4 W	Type	KC6				
Wide range types	Extended coil voltage and temperature	Type	TKC6				
IEC Rated operational current AC-15	220-230-240 V	A	4				
	380-400 V	A	3				
Rated operational current DC-13	24 V	A	2.5				
Main accessories							
Auxiliary contact blocks	Front mounting	CAF6					
	Side mounting	CA6-11K					

2CDC102040C0201



Soldering pins				Flat pins			
B6...P	B7...P	-	-	B6...F	B7...F	-	-
-	-	VB6...P	VB7...P	-	-	VB6...F	VB7...F
-	-	VB6A...P ²⁾	VB7A...P ²⁾	-	-	VB6A...F ²⁾	VB7A...F ²⁾
-	-	-	-	-	-	-	-
BC6...P	BC7...P	-	-	BC6...F	BC7...F	-	-
-	B7D...P ¹⁾	-	-	-	B7D...F ¹⁾	-	-
BC6...P	BC7...P	-	-	BC6...F	BC7...F	-	-
-	-	VBC6...P	VBC7...P	-	-	VBC6...F	VBC7...F
-	-	VBC6A...P ²⁾	VBC7A...P ²⁾	-	-	VBC6A...F ²⁾	VBC7A...F ²⁾
-	-	-	-	-	-	-	-
2,2	3	2,2	3	2,2	3	2,2	3
4	5,5	4	5,5	4	5,5	4	5,5
12	12	12	12	20	20	20	20
2	3	2	3	2	3	2	3
3	5	3	5	3	5	3	5
12 (300 V)	16 (600 V)	12 (300 V)	16 (600 V)	12 (300 V)	16 (600 V)	12 (300 V)	16 (600 V)

-	-
CA6-11K-P	CA6-11K-F
-	-
-	-

-	-
-	-

MS116, MS132	MS116, MS132
MO132	MO132
-	-



Soldering pins		Flat pins	
K6...P		K6...F	
KC6...P		KC6...F	
KC6...P		KC6...F	
4		4	
3		3	
2,5		2,5	
-		-	
CA6-11K-P		CA6-11K-F	

B6, B7 3-pole mini contactors – with screw terminals

4 to 5.5 kW

AC operated

3



2CDC211001R0010

B6-30-10



2CDC211014R0011

B7-30-10

Description

B6, B7 3-pole mini contactors are compact control products mainly used for switching resistive or motor loads up to 690 V AC.

These contactors are designed with:

- 3 main poles and one built-in auxiliary contact
- control circuit: AC operated
 - low coil consumption (3.5 VA at pull-in and at holding)
- add-on auxiliary contact blocks for front or side mounting and a wide range of accessories
- hum-free coil
- designed for rail or wall mounting

Ordering details

IEC	UL/CSA	Rated control circuit voltage U_c		Auxiliary contacts fitted	Type	Order code	Pkg qty	Weight (1 pce)
Rated operational power AC-3 kW	current $\theta \leq 40^\circ\text{C}$ AC-1 A	3-phase motor rating 480 V hp	General use rating V AC	50 Hz V AC	60 Hz V AC			kg

B6 mini contactors

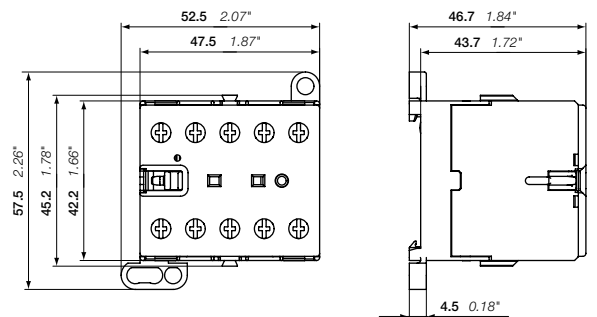
4	20	3	300 V / 12 A	24	24	1 0	B6-30-10-01	GJL1211001R0101	10	0.175
						0 1	B6-30-01-01	GJL1211001R0011	10	0.175
				42	42	1 0	B6-30-10-02	GJL1211001R0102	10	0.175
						0 1	B6-30-01-02	GJL1211001R0012	10	0.175
				48	48	1 0	B6-30-10-03	GJL1211001R0103	10	0.175
						0 1	B6-30-01-03	GJL1211001R0013	10	0.175
				110 ... 127	110 ... 127	1 0	B6-30-10-84	GJL1211001R8104	10	0.175
						0 1	B6-30-01-84	GJL1211001R8014	10	0.175
				220 ... 240	220 ... 240	1 0	B6-30-10-80	GJL1211001R8100	10	0.175
						0 1	B6-30-01-80	GJL1211001R8010	10	0.175
				380 ... 415	380 ... 415	1 0	B6-30-10-85	GJL1211001R8105	10	0.175
						0 1	B6-30-01-85	GJL1211001R8015	10	0.175

B7 mini contactors

5.5	20	5	600 V / 16 A	24	24	1 0	B7-30-10-01	GJL1311001R0101	10	0.175
						0 1	B7-30-01-01	GJL1311001R0011	10	0.175
				42	42	1 0	B7-30-10-02	GJL1311001R0102	10	0.175
						0 1	B7-30-01-02	GJL1311001R0012	10	0.175
				48	48	1 0	B7-30-10-03	GJL1311001R0103	10	0.175
						0 1	B7-30-01-03	GJL1311001R0013	10	0.175
				110 ... 127	110 ... 127	1 0	B7-30-10-84	GJL1311001R8104	10	0.175
						0 1	B7-30-01-84	GJL1311001R8014	10	0.175
				220 ... 240	220 ... 240	1 0	B7-30-10-80	GJL1311001R8100	10	0.175
						0 1	B7-30-01-80	GJL1311001R8010	10	0.175
				380 ... 415	380 ... 415	1 0	B7-30-10-85	GJL1311001R8105	10	0.175
						0 1	B7-30-01-85	GJL1311001R8015	10	0.175

Other types on request

Main dimensions mm, inches



B6, B7

2CDC212001R0011

2CDC102008C0201

BC6, BC7, B7D 3-pole mini contactors – with screw terminals

4 to 5.5 kW

DC operated



BC6-30-10

2CDC21104RF0011



BC7-30-10

2CDC211019F0011

Description

BC6, BC7, B7D 3-pole mini contactors are compact control products mainly used for switching resistive or motor loads up to 690 V AC.

These contactors are designed with:

- 3 main poles and one built-in auxiliary contact
- control circuit: DC operated, low consumption (3.5 W at pull-in and at holding)
- hum-free coil
- add-on auxiliary contact blocks for front or side mounting and a wide range of accessories
- designed for rail or wall mounting

Ordering details

IEC	UL/CSA	Rated control circuit voltage: U_c	Auxiliary contacts fitted	Type	Order code	Pkg qty	Weight (1 pce)
Rated operational power 400 V AC-3 kW	3-phase motor rating $\theta \leq 40^\circ\text{C}$ AC-1 hp 480 V	General use rating V DC					kg

BC6 mini contactors

Rated power (kW)	Rated current (A)	3-phase motor rating (hp)	Rated voltage (V)	Rated current (A)	Control voltage (V DC)	Auxiliary contacts	Type	Order code	Pkg qty	Weight (kg)
4	20	3	300 V / 12 A	12	12	1 0	BC6-30-10-07	GJL1213001R0107	10	0.175
						0 1	BC6-30-01-07	GJL1213001R0017	10	0.175
				24	1 0	BC6-30-10-01	GJL1213001R0101	10	0.175	
					0 1	BC6-30-01-01	GJL1213001R0011	10	0.175	
				48	1 0	BC6-30-10-16	GJL1213001R1106	10	0.175	
					0 1	BC6-30-01-16	GJL1213001R1016	10	0.175	
				60	1 0	BC6-30-10-03	GJL1213001R0103	10	0.175	
					0 1	BC6-30-01-03	GJL1213001R0013	10	0.175	
				110 ... 125	1 0	BC6-30-10-04	GJL1213001R0104	10	0.175	
					0 1	BC6-30-01-04	GJL1213001R0014	10	0.175	
				220 ... 240	1 0	BC6-30-10-05	GJL1213001R0105	10	0.175	
					0 1	BC6-30-01-05	GJL1213001R0015	10	0.175	

BC7 mini contactors

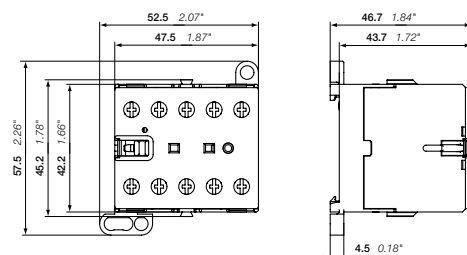
Rated power (kW)	Rated current (A)	3-phase motor rating (hp)	Rated voltage (V)	Rated current (A)	Control voltage (V DC)	Auxiliary contacts	Type	Order code	Pkg qty	Weight (kg)
5.5	20	5	600 V / 16 A	12	12	1 0	BC7-30-10-07	GJL1313001R0107	10	0.175
						0 1	BC7-30-01-07	GJL1313001R0017	10	0.175
				24	1 0	BC7-30-10-01	GJL1313001R0101	10	0.175	
					0 1	BC7-30-01-01	GJL1313001R0011	10	0.175	
				48	1 0	BC7-30-10-16	GJL1313001R1106	10	0.175	
					0 1	BC7-30-01-16	GJL1313001R1016	10	0.175	
				60	1 0	BC7-30-10-03	GJL1313001R1103	10	0.175	
					0 1	BC7-30-01-03	GJL1313001R0013	10	0.175	
				110 ... 125	1 0	BC7-30-10-04	GJL1313001R0104	10	0.175	
					0 1	BC7-30-01-04	GJL1313001R0014	10	0.175	
				220 ... 240	1 0	BC7-30-10-05	GJL1313001R0105	10	0.175	
					0 1	BC7-30-01-05	GJL1313001R0015	10	0.175	

B7D mini contactors with integrated suppressor diode

Rated power (kW)	Rated current (A)	3-phase motor rating (hp)	Rated voltage (V)	Rated current (A)	Control voltage (V DC)	Auxiliary contacts	Type	Order code	Pkg qty	Weight (kg)
5.5	20	5	600 V / 16 A	24	24	1 0	B7D-30-10-01	GJL1317001R0101	10	0.175
						0 1	B7D-30-01-01	GJL1317001R0011	10	0.175
				220	1 0	B7D-30-10-05	GJL1317001R0105	10	0.175	
					0 1	B7D-30-01-05	GJL1317001R0015	10	0.175	

Other types on request

Main dimensions mm, inches



BC6, BC7, B7D

2CDC212001F0011

2CDC102015C0201

VB6, VB7 3-pole mini reversing contactors – with screw terminals

4 to 5.5 kW

AC operated

3



2CDC21005F0011

VB7-30-10

Description

VB6, VB7 3-pole compact design reversing contactors are space optimized control products mainly used for switching resistive or motor loads up to 690 V AC.

These reversing contactors are designed with:

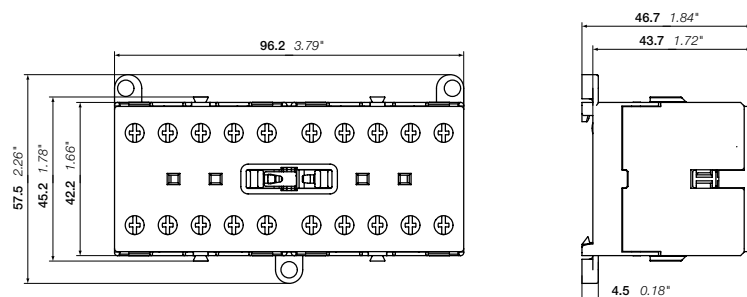
- built-in mechanical interlock. The coils must be mutually interlocked electrically and coils must be de-energised for 50 ms at least to prevent phase to phase short circuit on the arc.
- control circuit: AC operated
 - low coil consumption (3.5 VA at pull-in and at holding)
 - hum-free coil
- add-on auxiliary contact blocks for front mounting
- designed for rail or wall mounting

Ordering details

IEC		UL/CSA		Rated control circuit voltage U_c		Auxiliary contacts fitted	Type	Order code	Pkg qty	Weight (1 pce)				
Rated power	operational current $\theta \leq 40^\circ\text{C}$	3-phase motor rating	General use rating	50 Hz	60 Hz									
400 V	AC-3	480 V		V AC	V AC					kg				
kW	A	hp												
VB6 mini reversing contactors														
4	20	3	300 V / 12 A	24	24	1 0	VB6-30-10-01	GJL1211901R0101	5	0.355				
					24	0 1	VB6-30-01-01	GJL1211901R0011	5	0.355				
				42	42	1 0	VB6-30-10-02	GJL1211901R0102	5	0.355				
					42	0 1	VB6-30-01-02	GJL1211901R0012	5	0.355				
				48	48	1 0	VB6-30-10-03	GJL1211901R0103	5	0.355				
					48	0 1	VB6-30-01-03	GJL1211901R0013	5	0.355				
				110 ... 127	110 ... 127	1 0	VB6-30-10-84	GJL1211901R8104	5	0.355				
					110 ... 127	0 1	VB6-30-01-84	GJL1211901R8014	5	0.355				
				220 ... 240	220 ... 240	1 0	VB6-30-10-80	GJL1211901R8100	5	0.355				
					220 ... 240	0 1	VB6-30-01-80	GJL1211901R8010	5	0.355				
				380 ... 415	380 ... 415	1 0	VB6-30-10-85	GJL1211901R8105	5	0.355				
					380 ... 415	0 1	VB6-30-01-85	GJL1211901R8015	5	0.355				
				VB7 mini reversing contactors										
				5.5	20	5	600 V / 16 A	24	24	1 0	VB7-30-10-01	GJL1311901R0101	5	0.355
24	0 1	VB7-30-01-01	GJL1311901R0011						5	0.355				
42	42	1 0	VB7-30-10-02					GJL1311901R0102	5	0.355				
	42	0 1	VB7-30-01-02					GJL1311901R0012	5	0.355				
48	48	1 0	VB7-30-10-03					GJL1311901R0103	5	0.355				
	48	0 1	VB7-30-01-03					GJL1311901R0013	5	0.355				
110 ... 127	110 ... 127	1 0	VB7-30-10-84					GJL1311901R8104	5	0.355				
	110 ... 127	0 1	VB7-30-01-84					GJL1311901R8014	5	0.355				
220 ... 240	220 ... 240	1 0	VB7-30-10-80					GJL1311901R8100	5	0.355				
	220 ... 240	0 1	VB7-30-01-80					GJL1311901R8010	5	0.355				
380 ... 415	380 ... 415	1 0	VB7-30-10-85					GJL1311901R8105	5	0.355				
	380 ... 415	0 1	VB7-30-01-85					GJL1311901R8015	5	0.355				

Other types on request

Main dimensions mm, inches



VB6, VB7

2CDC21005F0011

2CDC102016C0201

VBC6, VBC7 3-pole mini reversing contactors – with screw terminals

4 to 5.5 kW

DC operated



VBC6-30-10

2CDC211049F0011



VBC7-30-10

2CDC211001F0011

Description

VBC6, VBC7 3-pole compact design reversing contactors are space optimized control products mainly used for switching resistive or motor loads up to 690 V AC.

These reversing contactors are designed with:

- built-in mechanical interlock. The coils must be mutually interlocked electrically and coils must be de-energised for 50 ms at least to prevent phase to phase short circuit on the arc.
- control circuit: DC operated
 - low coil consumption (3.5 W at pull-in and at holding)
- hum-free coil
- add-on auxiliary contact blocks for front mounting
- designed for rail or wall mounting

Ordering details

IEC	UL/CSA	Rated control circuit voltage: U_c	Auxiliary contacts fitted	Type	Order code	Pkg qty	Weight (1 pce)
Rated operational power	3-phase motor rating	General use rating					kg
400 V AC-3 kW	AC-1 hp	480 V					
		V DC					

VBC6 mini reversing contactors

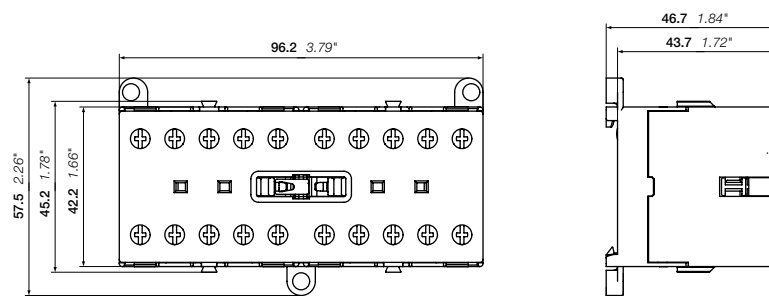
Rated power	Rated current I_n	3-phase motor rating	Rated voltage U_n	Rated control circuit voltage U_c	Auxiliary contacts	Type	Order code	Pkg qty	Weight (1 pce)	
4	20	3	300 V / 12 A	12	1 0	VBC6-30-10-07	GJL1213901R0107	5	0.355	
					0 1	VBC6-30-01-07	GJL1213901R0017	5	0.355	
				24	1 0	VBC6-30-10-01	GJL1213901R0101	5	0.355	
					0 1	VBC6-30-01-01	GJL1213901R0011	5	0.355	
				48	1 0	VBC6-30-10-16	GJL1213901R1106	5	0.355	
					0 1	VBC6-30-01-16	GJL1213901R1016	5	0.355	
				60	1 0	VBC6-30-10-03	GJL1213901R0103	5	0.355	
					0 1	VBC6-30-01-03	GJL1213901R0013	5	0.355	
				110 ... 125	1 0	VBC6-30-10-04	GJL1213901R0104	5	0.355	
					0 1	VBC6-30-01-04	GJL1213901R0014	5	0.355	
					220 ... 240	1 0	VBC6-30-10-05	GJL1213901R0105	5	0.355
						0 1	VBC6-30-01-05	GJL1213901R0015	5	0.355

VBC7 mini reversing contactors

Rated power	Rated current I_n	3-phase motor rating	Rated voltage U_n	Rated control circuit voltage U_c	Auxiliary contacts	Type	Order code	Pkg qty	Weight (1 pce)
5.5	20	5	600 V / 16 A	12	1 0	VBC7-30-10-07	GJL1313901R0107	5	0.355
					0 1	VBC7-30-01-07	GJL1313901R0017	5	0.355
				24	1 0	VBC7-30-10-01	GJL1313901R0101	5	0.355
					0 1	VBC7-30-01-01	GJL1313901R0011	5	0.355
				48	1 0	VBC7-30-10-16	GJL1313901R1106	5	0.355
					0 1	VBC7-30-01-16	GJL1313901R1016	5	0.355
				60	1 0	VBC7-30-10-03	GJL1313901R0103	5	0.355
					0 1	VBC7-30-01-03	GJL1313901R0013	5	0.355
				110 ... 125	1 0	VBC7-30-10-04	GJL1313901R0104	5	0.355
					0 1	VBC7-30-01-04	GJL1313901R0014	5	0.355
				220 ... 240	1 0	VBC7-30-10-05	GJL1313901R0105	5	0.355
					0 1	VBC7-30-01-05	GJL1313901R0015	5	0.355

Other types on request

Main dimensions mm, inches



VBC6, VBC7

2CDC212005F0011

2CDC102017C0201

VB6A, VB7A 3-pole mini reversing contactors – with screw terminals

4 to 5.5 kW

AC operated – with safety blocking function

3



2CDC211039F0011

VB6A-30-10



2CDC211039F0011

VB7A-30-10

Description

VB6A, VB7A 3-pole compact design reversing contactors are space optimized control products mainly used for switching resistive or motor loads up to 690 V AC.

These reversing contactors are designed with:

- built-in mechanical interlock and safety blocking function. The safety blocking function is triggered if the voltage is applied to the coil of the contactor to be switched on before the contactor to be switched off has dropped out. The contactor coils are designed for continuous operation when the contactor is de-energised i.e. the coil is not damaged if the mechanical interlock prevents switch-on of the contactor with the coil voltage applied.
- control circuit: AC operated
 - low coil consumption (3.5 VA at pull-in and at holding)
 - hum-free coil
- add-on auxiliary contact blocks for front mounting
- designed for rail or wall mounting

Ordering details

IEC Rated operational power	Rated operational current $\theta \leq 40^\circ\text{C}$	UL/CSA 3-phase motor rating 480 V hp	General use rating	Rated control circuit voltage U_c		Auxiliary contacts fitted 	Type	Order code	Pkg qty	Weight (1 pce) kg
				50 Hz V AC	60 Hz V AC					

VB6A mini reversing contactors with safety blocking function

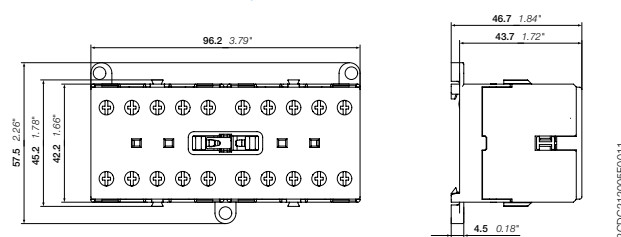
4	20	3	300 V / 12 A	24	24	1 0	VB6A-30-10-01	GJL1211911R0101	5	0.355
						0 1	VB6A-30-01-01	GJL1211911R0011	5	0.355
				42	42	1 0	VB6A-30-10-02	GJL1211911R0102	5	0.355
						0 1	VB6A-30-01-02	GJL1211911R0012	5	0.355
				48	48	1 0	VB6A-30-10-03	GJL1211911R0103	5	0.355
						0 1	VB6A-30-01-03	GJL1211911R0013	5	0.355
				110 ... 127	110 ... 127	1 0	VB6A-30-10-84	GJL1211911R8104	5	0.355
						0 1	VB6A-30-01-84	GJL1211911R8014	5	0.355
				220 ... 240	220 ... 240	1 0	VB6A-30-10-80	GJL1211911R8100	5	0.355
						0 1	VB6A-30-01-80	GJL1211911R8010	5	0.355
				380 ... 415	380 ... 415	1 0	VB6A-30-10-85	GJL1211911R8105	5	0.355
						0 1	VB6A-30-01-85	GJL1211911R8015	5	0.355

VB7A mini reversing contactors with safety blocking function

5.5	20	5	600 V / 16 A	24	24	1 0	VB7A-30-10-01	GJL1311911R0101	5	0.355
						0 1	VB7A-30-01-01	GJL1311911R0011	5	0.355
				42	42	1 0	VB7A-30-10-02	GJL1311911R0102	5	0.355
						0 1	VB7A-30-01-02	GJL1311911R0012	5	0.355
				48	48	1 0	VB7A-30-10-03	GJL1311911R0103	5	0.355
						0 1	VB7A-30-01-03	GJL1311911R0013	5	0.355
				110 ... 127	110 ... 127	1 0	VB7A-30-10-84	GJL1311911R8104	5	0.355
						0 1	VB7A-30-01-84	GJL1311911R8014	5	0.355
				220 ... 240	220 ... 240	1 0	VB7A-30-10-80	GJL1311911R8100	5	0.355
						0 1	VB7A-30-01-80	GJL1311911R8010	5	0.355
				380 ... 415	380 ... 415	1 0	VB7A-30-10-85	GJL1311911R8105	5	0.355
						0 1	VB7A-30-01-85	GJL1311911R8015	5	0.355

Other types on request

Main dimensions mm, inches



VB6A, VB7A

VBC6A, VBC7A 3-pole mini reversing contactors – with screw terminals

4 to 5.5 kW

DC operated – with safety blocking function



VBC6A-30-10

2CDC21104F0011



VBC7A-30-10

2CDC211007F0011

Description

VBC6A, VBC7A 3-pole compact design reversing contactors are space optimized control products mainly used for switching resistive or motor loads up to 690 V AC.

These reversing contactors are designed with:

- built-in mechanical interlock and safety blocking function. The safety blocking function is triggered if the voltage is applied to the coil of the contactor to be switched on before the contactor to be switched off has dropped out. The contactor coils are designed for continuous operation when the contactor is de-energised i.e. the coil is not damaged if the mechanical interlock prevents switch-on of the contactor with the coil voltage applied.
- control circuit: DC operated
 - low coil consumption (3.5 W at pull-in and at holding)
- hum-free coil
- add-on auxiliary contact blocks for front mounting
- designed for rail or wall mounting

Ordering details

IEC Rated operational power	UL/CSA 3-phase motor rating	General use rating	Rated control circuit voltage: U_c	Auxiliary contacts fitted	Type	Order code	Pkg qty	Weight (1 pce)
400 V AC-3 kW	$\theta \leq 40^\circ\text{C}$ AC-1 hp		V DC					kg

VBC6A mini reversing contactors with safety blocking function

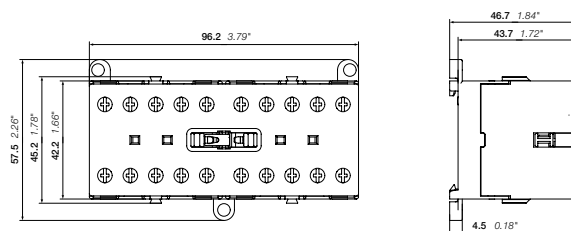
Power (kW)	Current (A)	HP	Voltage (V)	Rated current (A)	Control voltage (V DC)	Contacts	Order code	Pkg qty	Weight (kg)	
4	20	3	300 V / 12 A	12	12	1 0	VBC6A-30-10-07	5	0.355	
						0 1	VBC6A-30-01-07	5	0.355	
						24	1 0	VBC6A-30-10-01	5	0.355
							0 1	VBC6A-30-01-01	5	0.355
						48	1 0	VBC6A-30-10-16	5	0.355
							0 1	VBC6A-30-01-16	5	0.355
						60	1 0	VBC6A-30-10-03	5	0.355
							0 1	VBC6A-30-01-03	5	0.355
						110 ... 125	1 0	VBC6A-30-10-04	5	0.355
							0 1	VBC6A-30-01-04	5	0.355
						220 ... 240	1 0	VBC6A-30-10-05	5	0.355
							0 1	VBC6A-30-01-05	5	0.355

VBC7A mini reversing contactors with safety blocking function

Power (kW)	Current (A)	HP	Voltage (V)	Rated current (A)	Control voltage (V DC)	Contacts	Order code	Pkg qty	Weight (kg)	
5.5	20	5	600 V / 16 A	12	12	1 0	VBC7A-30-10-07	5	0.355	
						0 1	VBC7A-30-01-07	5	0.355	
						24	1 0	VBC7A-30-10-01	5	0.355
							0 1	VBC7A-30-01-01	5	0.355
						48	1 0	VBC7A-30-10-16	5	0.355
							0 1	VBC7A-30-01-16	5	0.355
						60	1 0	VBC7A-30-10-03	5	0.355
							0 1	VBC7A-30-01-03	5	0.355
						110 ... 125	1 0	VBC7A-30-10-04	5	0.355
							0 1	VBC7A-30-01-04	5	0.355
						220 ... 240	1 0	VBC7A-30-10-05	5	0.355
							0 1	VBC7A-30-01-05	5	0.355

Other types on request

Main dimensions mm, inches



VBC6A, VBC7A

2CDC212008F0011

BC6, BC7 3-pole interface mini contactors – with screw terminals

4 to 5.5 kW

DC operated

3



2CDC21104P0011

BC6-30-10



2CDC21109P0011

BC7-30-10

Description

BC6, BC7 3-pole interface mini contactors are compact control products mainly used for switching resistive or motor loads up to 690 V AC.

These contactors are designed with:

- 3 main poles and one built-in auxiliary contact
- control circuit: DC operated, very low coil consumption. Suitable for direct control by PLC outputs
- hum-free coil
- no auxiliary contact block permitted for mounting
- designed for rail or wall mounting

Ordering details

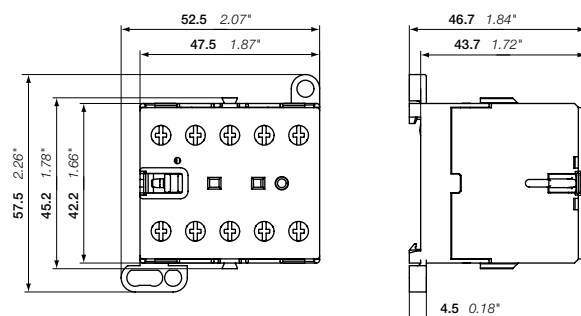
IEC	UL/CSA	Rated control circuit voltage U_c	Auxiliary contacts fitted	Type	Order code	Pkg qty	Weight (1 pce)
Rated operational power	3-phase motor rating $\theta \leq 40^\circ\text{C}$	General use rating					
400 V AC-3 kW	AC-1 A	hp	V DC				kg
DC operation 24 V / 1.4 W							
4	20	3	300 V / 12 A	24	1 0 BC6-30-10-1.4-81 0 1 BC6-30-01-1.4-81	GJL1213001R8101	10 0.175
5.5	20	5	600 V / 16 A	24	1 0 BC7-30-10-1.4-81 0 1 BC7-30-01-1.4-81	GJL1313001R8101	10 0.175
DC operation 17 ... 32 V / 2.4 W							
4	20	3	300 V / 12 A	17 ... 32	1 0 BC6-30-10-2.4-51 0 1 BC6-30-01-2.4-51	GJL1213001R5101	10 0.175
5.5	20	5	600 V / 16 A	17 ... 32	1 0 BC7-30-10-2.4-51 0 1 BC7-30-01-2.4-51	GJL1313001R5101	10 0.175

Connection to PLCs with integrated protective circuit

DC operation 24 V / 1.7 W							
4	20	3	300 V / 12 A	24	1 0 B6S-30-10-1.7-71 0 1 B6S-30-01-1.7-71	GJL1213001R7101	10 0.175
5.5	20	5	600 V / 16 A	24	1 0 B7S-30-10-1.7-71 0 1 B7S-30-01-1.7-71	GJL1313001R7101	10 0.175
DC operation 17 ... 32 V / 2.8 W							
4	20	3	300 V / 12 A	17 ... 32	1 0 B6S-30-10-2.8-72 0 1 B6S-30-01-2.8-72	GJL1213001R7102	10 0.175
5.5	20	5	600 V / 16 A	17 ... 32	1 0 B7S-30-10-2.8-72 0 1 B7S-30-01-2.8-72	GJL1313001R7102	10 0.175

Other types on request

Main dimensions mm, inches



BC6, BC7

TBC7 3-pole mini contactors – with screw terminals

4 to 5.5 kW

DC operated – large coil voltage range



TBC7-30-10

Description

TBC7 3-pole mini contactors are compact control products mainly used for switching resistive or motor loads up to 690 V AC.

These contactors are designed with:

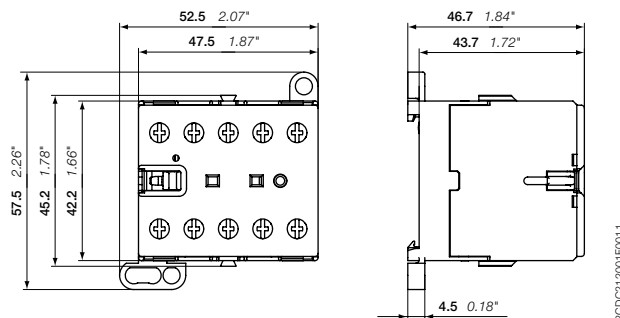
- 3 main poles and one built-in auxiliary contact
- control circuit: DC operated
 - low coil consumption (5 W at pull-in and at holding)
 - hum-free coil
- expanded ambient temperature range -30 ... +70 °C and wide range voltage supply
- no auxiliary contact block permitted for mounting
- designed for rail or wall mounting
- material is approved for railway applications

Ordering details

IEC		UL/CSA		Rated control circuit voltage: $U_{Cmin} \dots U_{Cmax}$	Auxiliary contacts fitted 	Type	Order code	Pkg qty	Weight (1 pce) kg
Rated power	operational current $\theta \leq 40 \text{ }^\circ\text{C}$	3-phase motor rating 480 V	General use rating						
400 V AC-3 kW	AC-1 A	hp		V DC					
TBC7 mini contactors									
5.5	20	5	600 V / 16 A	17 ... 32	1 0	TBC7-30-10-51	GJL1313061R5101	10	0.185
					0 1	TBC7-30-01-51	GJL1313061R5011	10	0.185
				50 ... 90	1 0	TBC7-30-10-55	GJL1313061R5105	10	0.185
					0 1	TBC7-30-01-55	GJL1313061R5015	10	0.185
				77 ... 143	1 0	TBC7-30-10-62	GJL1313061R6102	10	0.185
					0 1	TBC7-30-01-62	GJL1313061R6012	10	0.185
				140 ... 260	1 0	TBC7-30-10-68	GJL1313061R6108	10	0.185
					0 1	TBC7-30-01-68	GJL1313061R6018	10	0.185

Other types on request

Main dimensions mm, inches



TBC7

B6, B7 4-pole mini contactors – with screw terminals

4 to 5.5 kW

AC operated

3



2CDC21102BF0011

B6-22-00

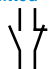
Description

B6, B7 4-pole mini contactors are compact control products mainly used for switching resistive loads up to 690 V AC.

These contactors are designed with:

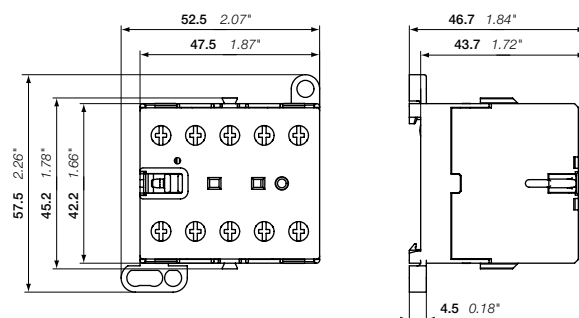
- 4 main poles
- control circuit: AC operated
 - low coil consumption (3.5 VA at pull-in and at holding)
- add-on auxiliary contact blocks for front or side mounting and a wide range of accessories
- hum-free coil
- designed for rail or wall mounting

Ordering details

IEC Rated operational current $\theta \leq 40^\circ\text{C}$ AC-1	UL/CSA General use rating	Rated control circuit voltage U_c 50/60 Hz	Auxiliary contacts fitted 	Type	Order code	Pkg qty	Weight (1 pce) kg
4 N.O. main poles							
20	300 V / 12 A	24	0 0	B6-40-00-01	GJL1211201R0001	10	0.175
		42	0 0	B6-40-00-02	GJL1211201R0002	10	0.175
		48	0 0	B6-40-00-03	GJL1211201R0003	10	0.175
		110 ... 127	0 0	B6-40-00-84	GJL1211201R8004	10	0.175
		220 ... 240	0 0	B6-40-00-80	GJL1211201R8000	10	0.175
20	600 V / 16 A	24	0 0	B7-40-00-01	GJL1311201R0001	10	0.175
		42	0 0	B7-40-00-02	GJL1311201R0002	10	0.175
		48	0 0	B7-40-00-03	GJL1311201R0003	10	0.175
		110 ... 127	0 0	B7-40-00-84	GJL1311201R8004	10	0.175
		220 ... 240	0 0	B7-40-00-80	GJL1311201R8000	10	0.175
2 N.O. + 2 N.C. main poles							
20	300 V / 12 A	24	0 0	B6-22-00-01	GJL1211501R0001	10	0.175
		42	0 0	B6-22-00-02	GJL1211501R0002	10	0.175
		48	0 0	B6-22-00-03	GJL1211501R0003	10	0.175
		110 ... 127	0 0	B6-22-00-84	GJL1211501R8004	10	0.175
		220 ... 240	0 0	B6-22-00-80	GJL1211501R8000	10	0.175
20	600 V / 16 A	24	0 0	B7-22-00-01	GJL1311501R0001	10	0.175
		42	0 0	B7-22-00-02	GJL1311501R0002	10	0.175
		48	0 0	B7-22-00-03	GJL1311501R0003	10	0.175
		110 ... 127	0 0	B7-22-00-84	GJL1311501R8004	10	0.175
		220 ... 240	0 0	B7-22-00-80	GJL1311501R8000	10	0.175

Other types on request

Main dimensions mm, inches



B6, B7

2CDC212001R0011

2CDC102009C0201

BC6, B7D 4-pole mini contactors – with screw terminals

4 to 5.5 kW

DC operated



BC6-22-00

Description

BC6, B7D 4-pole mini contactors are compact control products mainly used for switching resistive loads up to 690 V AC.

These contactors are designed with:

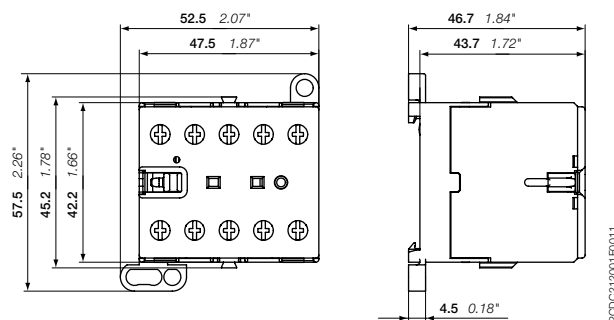
- 4 main poles
- control circuit: DC operated
 - low coil consumption (3.5 W at pull-in and at holding)
 - hum-free coil
- add-on auxiliary contact blocks for front or side mounting
- designed for rail or wall mounting

Ordering details

IEC	UL/CSA	Rated control circuit voltage: U_c	Auxiliary contacts fitted	Type	Order code	Pkg qty	Weight (1 pce)
Rated operational current $\theta \leq 40^\circ\text{C}$ AC-1 A	General use rating	V DC					kg
4 N.O. main poles							
20	600 V / 16 A	24	0 0	B7D-40-00-01	GJL1317201R0001	10	0.175
		220	0 0	B7D-40-00-05	GJL1317201R0005	10	0.175
2 N.O. + 2 N.C. main poles							
20	300 V / 12 A	12	0 0	BC6-22-00-07	GJL1213501R0007	10	0.175
		24	0 0	BC6-22-00-01	GJL1213501R0001	10	0.175
		42	0 0	BC6-22-00-02	GJL1213501R0002	10	0.175
		48	0 0	BC6-22-00-16	GJL1213501R1006	10	0.175
		60	0 0	BC6-22-00-03	GJL1213501R0003	10	0.175
		110 ... 125	0 0	BC6-22-00-04	GJL1213501R0004	10	0.175
		220 ... 240	0 0	BC6-22-00-05	GJL1213501R0005	10	0.175

Other types on request

Main dimensions mm, inches



BC6, B7D

TBC7 4-pole mini contactors – with screw terminals

4 to 5.5 kW

DC operated – large coil voltage range

3



TBC7-31-00

Description

TBC7 4-pole mini contactors are compact control products mainly used for switching resistive or motor loads up to 690 V AC.

These contactors are designed with:

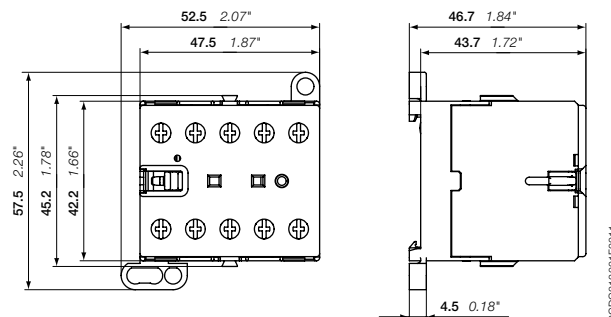
- 4 main poles
- control circuit: DC operated
 - low coil consumption (5 W at pull-in and at holding)
 - hum-free coil
- expanded ambient temperature range -30 ... +70 °C and wide range voltage supply
- no auxiliary contact block permitted for mounting
- designed for rail or wall mounting
- material is approved for railway applications

Ordering details

IEC	UL/CSA	Rated control circuit voltage $U_{Cmin} \dots U_{Cmax}$	Auxiliary contacts fitted	Type	Order code	Pkg qty	Weight (1 pce)
Rated operational current $\theta \leq 40^\circ\text{C}$ AC-1 A	General use rating	V DC					kg
3 N.O. + 1 N.C. main poles							
20	600 V / 16 A	50 ... 90	0 0	TBC7-31-00-55	GJL1313461R5005	10	0.185
		77 ... 143	0 0	TBC7-31-00-62	GJL1313461R6002	10	0.185
		140 ... 260	0 0	TBC7-31-00-68	GJL1313461R6008	10	0.185
2 N.O. + 2 N.C. main poles							
20	600 V / 16 A	50 ... 90	0 0	TBC7-22-00-55	GJL1313561R5005	10	0.185
		77 ... 143	0 0	TBC7-22-00-62	GJL1313561R6002	10	0.185
		140 ... 260	0 0	TBC7-22-00-68	GJL1313561R6008	10	0.185

Other types on request

Main dimensions mm, inches



TBC7

K6 4-pole mini contactor relays – with screw terminals AC operated



K6-22Z



K6-31Z

Description

K6 4-pole mini-contactor relays are space optimized control products mainly used for control functions or for small loads up to 4 A.

These contactors are designed with:

- 4-poles with various contact combinations
- control circuit: AC operated
 - low coil consumption (3.5 VA at pull-in and at holding)
 - hum-free coil
- add-on auxiliary contact blocks for front or side mounting
- designed for rail or wall mounting

Ordering details

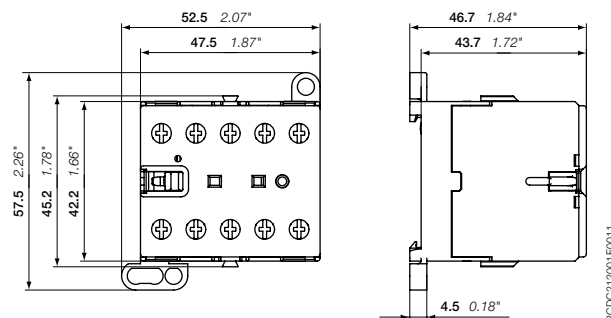
Rated control circuit voltage U_c		Type	Order code	Pkg qty	Weight (1 pce)
50 Hz	60 Hz				kg
V AC	V AC				

K6 4-pole mini contactor relays

24	24	K6-22Z-01	GJH1211001R0221	10	0.175
42	42	K6-22Z-02	GJH1211001R0222	10	0.175
48	48	K6-22Z-03	GJH1211001R0223	10	0.175
110 ... 127	110 ... 127	K6-22Z-84	GJH1211001R8224	10	0.175
220 ... 240	220 ... 240	K6-22Z-80	GJH1211001R8220	10	0.175
380 ... 415	380 ... 415	K6-22Z-85	GJH1211001R8225	10	0.175
24	24	K6-31Z-01	GJH1211001R0311	10	0.175
42	42	K6-31Z-02	GJH1211001R0312	10	0.175
48	48	K6-31Z-03	GJH1211001R0313	10	0.175
110 ... 127	110 ... 127	K6-31Z-84	GJH1211001R8314	10	0.175
220 ... 240	220 ... 240	K6-31Z-80	GJH1211001R8310	10	0.175
380 ... 415	380 ... 415	K6-31Z-85	GJH1211001R8315	10	0.175
24	24	K6-40E-01	GJH1211001R0401	10	0.175
42	42	K6-40E-02	GJH1211001R0402	10	0.175
48	48	K6-40E-03	GJH1211001R0403	10	0.175
110 ... 127	110 ... 127	K6-40E-84	GJH1211001R8404	10	0.175
220 ... 240	220 ... 240	K6-40E-80	GJH1211001R8400	10	0.175
380 ... 415	380 ... 415	K6-40E-85	GJH1211001R8405	10	0.175

Other types on request

Main dimensions mm, inches



K6

KC6 4-pole mini contactor relays – with screw terminals

DC operated

3



2CDC21101R0011

KC6-22Z

Description

KC6 4-pole mini-contactor relays are space optimized control products mainly used for control functions or for small loads up to 4 A.

These contactors are designed with:

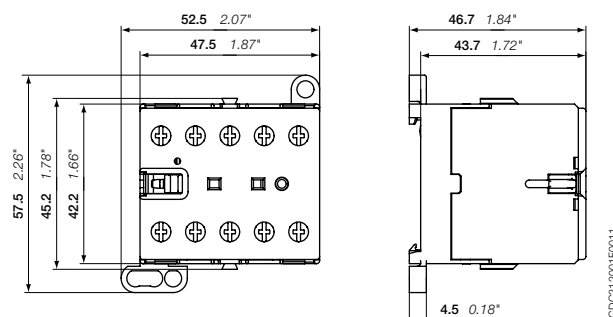
- 4-poles with various contact combinations
- control circuit: DC operated
 - low coil consumption (3.5 W at pull-in and at holding)
 - hum-free coil
- add-on auxiliary contact blocks for front or side mounting
- designed for rail or wall mounting

Ordering details

Rated control circuit voltage U_c V DC	Type	Order code	Pkg qty	Weight (1 pce) kg
KC6 4-pole mini contactor relays				
12	KC6-22Z-07	GJH1213001R0227	10	0.175
24	KC6-22Z-01	GJH1213001R0221	10	0.175
48	KC6-22Z-16	GJH1213001R1226	10	0.175
60	KC6-22Z-03	GJH1213001R0223	10	0.175
110 ... 125	KC6-22Z-04	GJH1213001R0224	10	0.175
220 ... 240	KC6-22Z-05	GJH1213001R0225	10	0.175
12	KC6-31Z-07	GJH1213001R0317	10	0.175
24	KC6-31Z-01	GJH1213001R0311	10	0.175
48	KC6-31Z-16	GJH1213001R1316	10	0.175
60	KC6-31Z-03	GJH1213001R0313	10	0.175
110 ... 125	KC6-31Z-04	GJH1213001R0314	10	0.175
220 ... 240	KC6-31Z-05	GJH1213001R0315	10	0.175
12	KC6-40E-07	GJH1213001R0407	10	0.175
24	KC6-40E-01	GJH1213001R0401	10	0.175
48	KC6-40E-16	GJH1213001R1406	10	0.175
60	KC6-40E-03	GJH1213001R0403	10	0.175
110 ... 125	KC6-40E-04	GJH1213001R0404	10	0.175
220 ... 240	KC6-40E-05	GJH1213001R0405	10	0.175

Other types on request

Main dimensions mm, inches



KC6

2CDC211001R0011

2CDC102012C0201

KC6 4-pole interface mini contactor relays – with screw terminals DC operated



KC6-31Z

Description

KC6 4-pole interface mini-contactor relays are space optimized control products mainly used for control functions or for small loads up to 4 A.

These contactors are designed with:

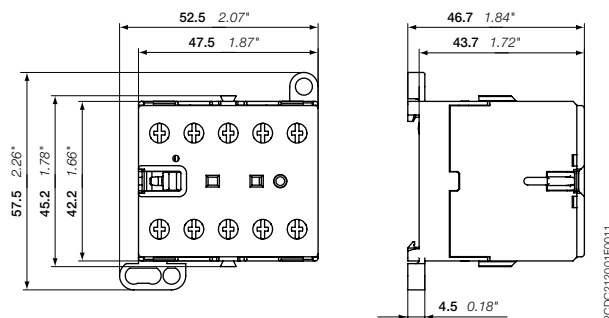
- 4-poles with various contact combinations
- control circuit: DC operated
 - low coil consumption (1.4 ... 2.8 W at pull-in and at holding)
- hum-free coil
- no auxiliary contact block permitted for mounting
- designed for rail or wall mounting

Ordering details

Rated control circuit voltage U_c V DC	Type	Order code	Pkg qty	Weight (1 pce) kg
DC operation 24 V / 1.4 W				
24	KC6-31Z-1.4-81	GJH1213001R8311	10	0.175
24	KC6-40E-1.4-81	GJH1213001R8401	10	0.175
DC operation 17 ... 32 V / 2.4 W				
17 ... 32	KC6-31Z-2.4-51	GJH1213001R5311	10	0.175
17 ... 32	KC6-40E-2.4-51	GJH1213001R5401	10	0.175
DC operation 24 V / 1.7 W				
24	K6S-22Z-1.7-71	GJH1213001R7221	10	0.175
24	K6S-31Z-1.7-71	GJH1213001R7311	10	0.175
24	K6S-40E-1.7-71	GJH1213001R7401	10	0.175
DC operation 17 ... 32 V / 2.8 W				
17 ... 32	K6S-22Z-2.8-72	GJH1213001R7222	10	0.175
17 ... 32	K6S-31Z-2.8-72	GJH1213001R7312	10	0.175
17 ... 32	K6S-40E-2.8-72	GJH1213001R7402	10	0.175

Other types on request

Main dimensions mm, inches



KC6

TKC6 4-pole mini contactor relays – with screw terminals

DC operated – large coil voltage range

3



2CDC211021F0011

TKC6-31Z

Description

TKC6 4-pole mini contactors are space optimized control products mainly used for control functions or for small loads up to 4 A.

These contactors are designed with:

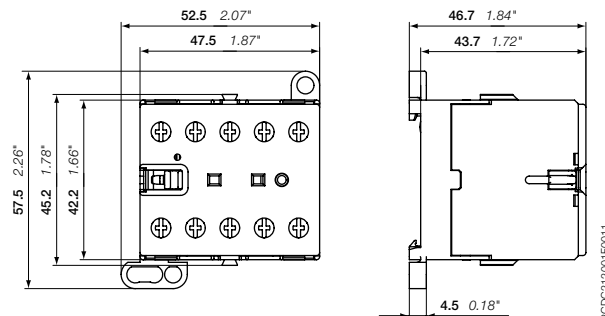
- 4-poles with various contact combinations
- control circuit: DC operated, hum free, low consumption (5 W at pull-in and at holding)
- expanded ambient temperature range -30 ... +70 °C and wide range voltage supply
- material is suitable for railway applications
- humfree operating DC coil
- no auxiliary contact block permitted for mounting
- designed for rail or wall mounting

Ordering details

Rated control circuit voltage $U_{C \min} \dots U_{C \max}$ V DC	Type	Order code	Pkg qty	Weight (1 pce) kg
17 ... 32	TKC6-22Z-51	GJH1213061R5221	10	0.180
50 ... 90	TKC6-22Z-55	GJH1213061R5225	10	0.180
77 ... 143	TKC6-22Z-62	GJH1213061R6222	10	0.180
140 ... 260	TKC6-22Z-68	GJH1213061R6228	10	0.180
17 ... 32	TKC6-31Z-51	GJH1213061R5311	10	0.180
50 ... 90	TKC6-31Z-55	GJH1213061R5315	10	0.180
77 ... 143	TKC6-31Z-62	GJH1213061R6312	10	0.180
140 ... 260	TKC6-31Z-68	GJH1213061R6318	10	0.180
17 ... 32	TKC6-40E-51	GJH1213061R5401	10	0.180
50 ... 90	TKC6-40E-55	GJH1213061R5405	10	0.180
77 ... 143	TKC6-40E-62	GJH1213061R6402	10	0.180
140 ... 260	TKC6-40E-68	GJH1213061R6408	10	0.180

Other types on request

Main dimensions mm, inches



TKC6

2CDC212001F0011

2CDC102014C0201

B6, B7 3-pole mini contactors – with soldering pins

4 to 5.5 kW

AC operated



2CDC211003F0010

B6-30-10-P



2CDC211011F0011

B7-30-10-P

Description

B6..P and B7..P 3-pole mini contactors are compact control products mainly used for switching resistive or motor loads up to 690 V AC.

These contactors are designed with:

- 3 main poles and one built-in auxiliary contact
- control circuit: AC operated
 - low coil consumption (3.5 VA at pull-in and at holding)
- hum-free coil
- add-on auxiliary contact blocks for side mounting
- designed for soldering on PCB boards

Ordering details

IEC		UL/CSA		Rated control circuit voltage U_c		Auxiliary contacts fitted	Type	Order code	Pkg qty	Weight (1 pce)
Rated operational power	current $\theta \leq 40^\circ\text{C}$	3-phase motor rating	General use rating	50 Hz	60 Hz					
400 V AC-3	AC-1	480 V		V AC	V AC					kg

B6 mini contactors

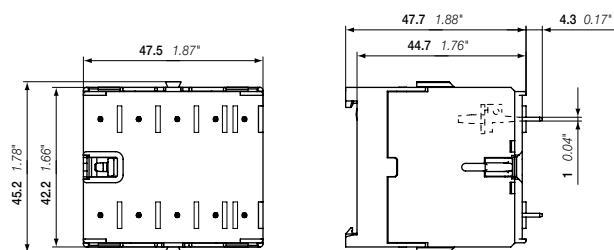
4	12	3	300 V / 12 A	24	24	1 0 0 1	B6-30-10-P-01 B6-30-01-P-01	GJL1211009R0101 GJL1211009R0011	10	0.170
				42	42	1 0 0 1	B6-30-10-P-02 B6-30-01-P-02	GJL1211009R0102 GJL1211009R0012	10	0.170
				48	48	1 0 0 1	B6-30-10-P-03 B6-30-01-P-03	GJL1211009R0103 GJL1211009R0013	10	0.170
				110 ... 127	110 ... 127	1 0 0 1	B6-30-10-P-84 B6-30-01-P-84	GJL1211009R8104 GJL1211009R8014	10	0.170
				220 ... 240	220 ... 240	1 0 0 1	B6-30-10-P-80 B6-30-01-P-80	GJL1211009R8100 GJL1211009R8010	10	0.170
				380 ... 415	380 ... 415	1 0 0 1	B6-30-10-P-85 B6-30-01-P-85	GJL1211009R8105 GJL1211009R8015	10	0.170

B7 mini contactors

5.5	12	5	600 V / 16 A	24	24	1 0 0 1	B7-30-10-P-01 B7-30-01-P-01	GJL1311009R0101 GJL1311009R0011	10	0.170
				42	42	1 0 0 1	B7-30-10-P-02 B7-30-01-P-02	GJL1311009R0102 GJL1311009R0012	10	0.170
				48	48	1 0 0 1	B7-30-10-P-03 B7-30-01-P-03	GJL1311009R0103 GJL1311009R0013	10	0.170
				110 ... 127	110 ... 127	1 0 0 1	B7-30-10-P-84 B7-30-01-P-84	GJL1311009R8104 GJL1311009R8014	10	0.170
				220 ... 240	220 ... 240	1 0 0 1	B7-30-10-P-80 B7-30-01-P-80	GJL1311009R8100 GJL1311009R8010	10	0.170
				380 ... 415	380 ... 415	1 0 0 1	B7-30-10-P-85 B7-30-01-P-85	GJL1311009R8105 GJL1311009R8015	10	0.170

Other types on request

Main dimensions mm, inches



B6, B7

2CDC212003F0011

2CDC102023C0201

BC6, BC7 3-pole mini contactors – with soldering pins

4 to 5.5 kW

DC operated

3



2CDC211030F0011

BC7-30-10-P

Description

BC6, BC7 3-pole mini contactors are compact control products mainly used for switching resistive or motor loads up to 690 V AC.

These contactors are designed with:

- 3 main poles and one built-in auxiliary contact
- control circuit: DC operated
 - low coil consumption (3.5 W at pull-in and at holding)
- hum-free coil
- add-on auxiliary contact blocks for side mounting
- designed for soldering on PCB boards

Ordering details

IEC		UL/CSA		Rated control circuit voltage U_c	Auxiliary contacts fitted	Type	Order code	Pkg qty	Weight (1 pce)
Rated operational power	operational current I_n at $\theta \leq 40^\circ\text{C}$	3-phase motor rating	General use rating						
400 V	AC-3	480 V		V DC					kg
kW	A	hp							

BC6 mini contactors with 3 N.O. main poles

Rated operational power	operational current I_n at $\theta \leq 40^\circ\text{C}$	3-phase motor rating	General use rating	Rated control circuit voltage U_c	Auxiliary contacts fitted	Type	Order code	Pkg qty	Weight (1 pce)
4	12	3	300 V / 12 A	12	1 0	BC6-30-10-P-07	GJL1213009R0107	10	0.170
					0 1	BC6-30-01-P-07	GJL1213009R0017	10	0.170
					1 0	BC6-30-10-P-01	GJL1213009R0101	10	0.170
					0 1	BC6-30-01-P-01	GJL1213009R0011	10	0.170
					1 0	BC6-30-10-P-16	GJL1213009R1106	10	0.170
					0 1	BC6-30-01-P-16	GJL1213009R1016	10	0.170
					1 0	BC6-30-10-P-03	GJL1213009R0103	10	0.170
					0 1	BC6-30-01-P-03	GJL1213009R0013	10	0.170
					1 0	BC6-30-10-P-04	GJL1213009R0104	10	0.170
					0 1	BC6-30-01-P-04	GJL1213009R0014	10	0.170
					1 0	BC6-30-10-P-05	GJL1213009R0105	10	0.170
					0 1	BC6-30-01-P-05	GJL1213009R0015	10	0.170

BC7 mini contactors with 3 N.O. main poles

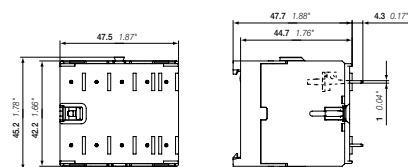
Rated operational power	operational current I_n at $\theta \leq 40^\circ\text{C}$	3-phase motor rating	General use rating	Rated control circuit voltage U_c	Auxiliary contacts fitted	Type	Order code	Pkg qty	Weight (1 pce)
5.5	12	5	600 V / 16 A	12	1 0	BC7-30-10-P-07	GJL1313009R0107	10	0.170
					0 1	BC7-30-01-P-07	GJL1313009R0017	10	0.170
					1 0	BC7-30-10-P-01	GJL1313009R0101	10	0.170
					0 1	BC7-30-01-P-01	GJL1313009R0011	10	0.170
					1 0	BC7-30-10-P-16	GJL1313009R1106	10	0.170
					0 1	BC7-30-01-P-16	GJL1313009R1016	10	0.170
					1 0	BC7-30-10-P-03	GJL1313009R0103	10	0.170
					0 1	BC7-30-01-P-03	GJL1313009R0013	10	0.170
					1 0	BC7-30-10-P-04	GJL1313009R0104	10	0.170
					0 1	BC7-30-01-P-04	GJL1313009R0014	10	0.170
					1 0	BC7-30-10-P-05	GJL1313009R0105	10	0.170
					0 1	BC7-30-01-P-05	GJL1313009R0015	10	0.170

BC6 mini contactors 2 N.O. + 1 N.C. main poles

Rated operational power	operational current I_n at $\theta \leq 40^\circ\text{C}$	3-phase motor rating	General use rating	Rated control circuit voltage U_c	Auxiliary contacts fitted	Type	Order code	Pkg qty	Weight (1 pce)
4	12	3	300 V / 12 A	24	1 0	BC6-21-10-P-01	GJL1213109R0101	10	0.170
					1 0	BC6-21-10-P-16	GJL1213109R1106	10	0.170
					1 0	BC6-21-10-P-03	GJL1213109R0103	10	0.170
					1 0	BC6-21-10-P-04	GJL1213109R0104	10	0.170
					1 0	BC6-21-10-P-05	GJL1213109R0105	10	0.170

Other types on request

Main dimensions mm, inches



B6, B7

2CDC211030F0011

2CDC102024C0201

VB6, VB7 3-pole mini reversing contactors – with soldering pins 4 to 5.5 kW AC operated



VB7-30-10-P

2CDC21109S0011

Description

VB6, VB7 3-pole compact design reversing contactors are space optimized control products mainly used for switching resistive or motor loads up to 690 V AC.

These reversing contactors are designed with:

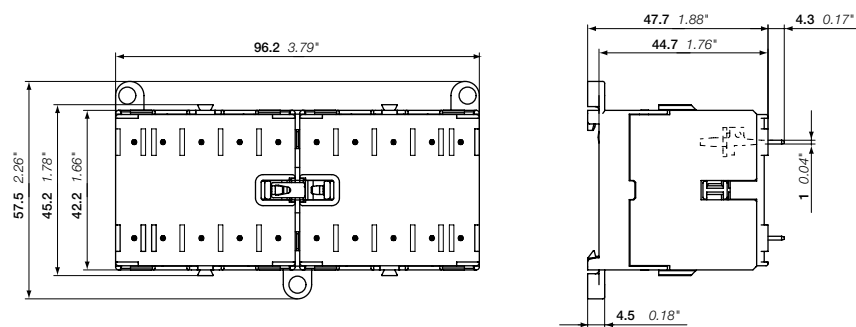
- built-in mechanical interlock. The coils must be mutually interlocked electrically and coils must be de-energised for 50 ms at least to prevent phase to phase short circuit on the arc
- control circuit: AC operated
 - low coil consumption (3.5 VA at pull-in and at holding)
- hum-free coil
- no auxiliary contact block permitted for mounting
- designed for soldering on PCB boards

Ordering details

IEC		UL/CSA		Rated control circuit voltage U_c		Auxiliary contacts fitted	Type	Order code	Pkg qty	Weight (1 pce) kg				
Rated power	operational current $\theta \leq 40^\circ\text{C}$	3-phase motor rating	General use rating	50 Hz	60 Hz									
400 V AC-3	AC-1	480 V		V AC	V AC									
VB6 mini reversing contactors														
4	12	3	300 V / 12 A	24	24	1 0	VB6-30-10-P-01	GJL1211909R0101	5	0.345				
						0 1	VB6-30-01-P-01	GJL1211909R0011	5	0.345				
				42	42	1 0	VB6-30-10-P-02	GJL1211909R0102	5	0.345				
						0 1	VB6-30-01-P-02	GJL1211909R0012	5	0.345				
				48	48	1 0	VB6-30-10-P-03	GJL1211909R0103	5	0.345				
						0 1	VB6-30-01-P-03	GJL1211909R0013	5	0.345				
				110 ... 127	110 ... 127	1 0	VB6-30-10-P-84	GJL1211909R8104	5	0.345				
						0 1	VB6-30-01-P-84	GJL1211909R8014	5	0.345				
				220 ... 240	220 ... 240	1 0	VB6-30-10-P-80	GJL1211909R8100	5	0.345				
						0 1	VB6-30-01-P-80	GJL1211909R8010	5	0.345				
				380 ... 415	380 ... 415	1 0	VB6-30-10-P-85	GJL1211909R8105	5	0.345				
						0 1	VB6-30-01-P-85	GJL1211909R8015	5	0.345				
				VB7 mini reversing contactors										
				5.5	12	5	600 V / 16 A	24	24	1 0	VB7-30-10-P-01	GJL1311909R0101	5	0.345
0 1	VB7-30-01-P-01	GJL1311909R0011	5							0.345				
42	42	1 0	VB7-30-10-P-02					GJL1311909R0102	5	0.345				
		0 1	VB7-30-01-P-02					GJL1311909R0012	5	0.345				
48	48	1 0	VB7-30-10-P-03					GJL1311909R0103	5	0.345				
		0 1	VB7-30-01-P-03					GJL1311909R0013	5	0.345				
110 ... 127	110 ... 127	1 0	VB7-30-10-P-84					GJL1311909R8104	5	0.345				
		0 1	VB7-30-01-P-84					GJL1311909R8014	5	0.345				
220 ... 240	220 ... 240	1 0	VB7-30-10-P-80					GJL1311909R8100	5	0.345				
		0 1	VB7-30-01-P-80					GJL1311909R8010	5	0.345				
380 ... 415	380 ... 415	1 0	VB7-30-10-P-85					GJL1311909R8105	5	0.345				
		0 1	VB7-30-01-P-85					GJL1311909R8015	5	0.345				

Other types on request

Main dimensions mm, inches



VB6, VB7

2CDC212007F0011

2CDC102025C0201

VBC6, VBC7 3-pole mini reversing contactors – with soldering pins

4 to 5.5 kW

DC operated

3



2CDC211009R0011

VBC7-30-10-P

Description

VBC6, VBC7 3-pole compact design reversing contactors are space optimized control products mainly used for switching resistive or motor loads up to 690 V AC.

These reversing contactors are designed with:

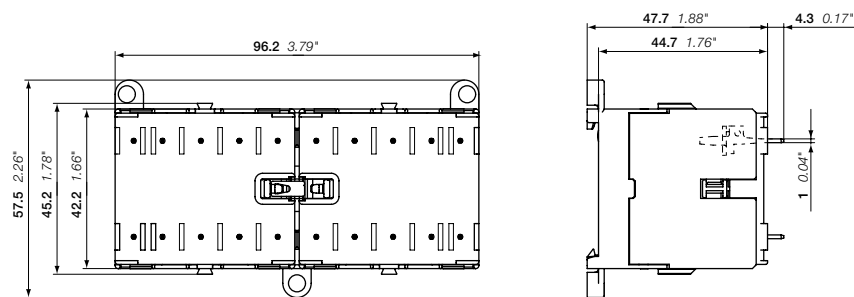
- built-in mechanical interlock. The coils must be mutually interlocked electrically and coils must be de-energised for 50 ms at least to prevent phase to phase short circuit on the arc
- control circuit: DC operated
 - low coil consumption (3.5 W at pull-in and at holding)
- hum-free coil
- no auxiliary contact block permitted for mounting
- designed for soldering on PCB boards

Ordering details

IEC		UL/CSA		Rated control circuit voltage U_c	Auxiliary contacts fitted	Type	Order code	Pkg qty	Weight (1 pce)					
Rated operational power	current $\theta \leq 40^\circ\text{C}$	3-phase motor rating	General use rating											
400 V AC-3	AC-1	480 V		V DC					kg					
VBC6 mini reversing contactors														
4	12	3	300 V / 12 A	12	1 0	VBC6-30-10-P-07	GJL1213909R0107	5	0.345					
					0 1	VBC6-30-01-P-07	GJL1213909R0017	5	0.345					
				24	1 0	VBC6-30-10-P-01	GJL1213909R0101	5	0.345					
					0 1	VBC6-30-01-P-01	GJL1213909R0011	5	0.345					
				48	1 0	VBC6-30-10-P-06	GJL1213909R0106	5	0.345					
					0 1	VBC6-30-06-P-06	GJL1213909R0016	5	0.345					
				60	1 0	VBC6-30-10-P-03	GJL1213909R0103	5	0.345					
					0 1	VBC6-30-01-P-03	GJL1213909R0013	5	0.345					
				110 ... 125	1 0	VBC6-30-10-P-04	GJL1213909R0104	5	0.345					
					0 1	VBC6-30-01-P-04	GJL1213909R0014	5	0.345					
				220 ... 240	1 0	VBC6-30-10-P-05	GJL1213909R0105	5	0.345					
					0 1	VBC6-30-01-P-05	GJL1213909R0015	5	0.345					
				VBC7 mini reversing contactors										
				5.5	12	5	600 V / 16 A	12	1 0	VBC7-30-10-P-07	GJL1313909R0107	5	0.345	
0 1	VBC7-30-01-P-07	GJL1313909R0017	5						0.345					
24	1 0	VBC7-30-10-P-01	GJL1313909R0101					5	0.345					
	0 1	VBC7-30-01-P-01	GJL1313909R0011					5	0.345					
48	1 0	VBC7-30-10-P-16	GJL1313909R1106					5	0.345					
	0 1	VBC7-30-01-P-16	GJL1313909R1016					5	0.345					
60	1 0	VBC7-30-10-P-03	GJL1313909R0103					5	0.345					
	0 1	VBC7-30-01-P-03	GJL1313909R0013					5	0.345					
110 ... 125	1 0	VBC7-30-10-P-04	GJL1313909R0104					5	0.345					
	0 1	VBC7-30-01-P-04	GJL1313909R0014					5	0.345					
220 ... 240	1 0	VBC7-30-10-P-05	GJL1313909R0105					5	0.345					
	0 1	VBC7-30-01-P-05	GJL1313909R0015					5	0.345					

Other types on request

Main dimensions mm, inches



VBC6, VBC7

2CDC212007R0011

2CDC102026C0201

VB6A, VB7A 3-pole mini reversing contactors – with soldering pins 4 to 5.5 kW AC operated – with safety blocking function



VB7-30-01-P

2CDC211019F0010

Description

VB6A, VB7A 3-pole compact design reversing contactors are space optimized control products mainly used for switching resistive or motor loads up to 690 V AC.

These reversing contactors are designed with:

- built-in mechanical interlock and safety blocking function. The safety blocking function is triggered if the voltage is applied to the coil of the contactor to be switched on before the contactor to be switched off has dropped out. The contactor coils are designed for continuous operation when the contactor is de-energised i.e. the coil is not damaged if the mechanical interlock prevents switch-on of the contactor with the coil voltage applied.
- control circuit: AC operated
 - low coil consumption (3.5 VA at pull-in and at holding)
- hum-free coil
- no auxiliary contact block permitted for mounting
- designed for soldering on PCB boards

Ordering details

IEC		UL/CSA		Rated control circuit voltage U_c		Auxiliary contacts fitted	Type	Order code	Pkg qty	Weight (1 pce)
Rated operational power	current $\theta \leq 40^\circ\text{C}$	3-phase motor rating	General use rating	50 Hz	60 Hz					
kW	A	hp		V AC	V AC					kg

VB6A mini reversing contactors with safety blocking function

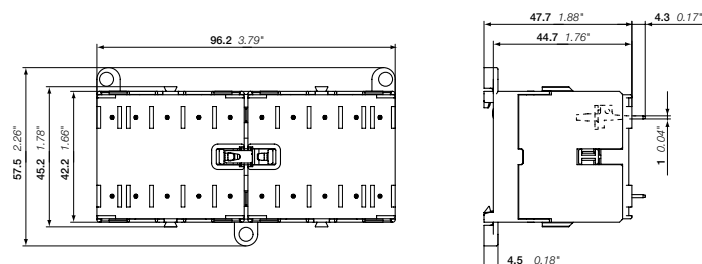
4	12	3	300 V // 12 A	24	24	1 0	VB6A-30-10-P-01	GJL1211919R0101	5	0.345
						0 1	VB6A-30-01-P-01	GJL1211919R0011	5	0.345
				42	42	1 0	VB6A-30-10-P-02	GJL1211919R0102	5	0.345
						0 1	VB6A-30-01-P-02	GJL1211919R0012	5	0.345
				48	48	1 0	VB6A-30-10-P-03	GJL1211919R0103	5	0.345
						0 1	VB6A-30-01-P-03	GJL1211919R0013	5	0.345
				110 ... 127	110 ... 127	1 0	VB6A-30-10-P-84	GJL1211919R8104	5	0.345
						0 1	VB6A-30-01-P-84	GJL1211919R8014	5	0.345
				220 ... 240	220 ... 240	1 0	VB6A-30-10-P-80	GJL1211919R8100	5	0.345
						0 1	VB6A-30-01-P-80	GJL1211919R8010	5	0.345
				380 ... 415	380 ... 415	1 0	VB6A-30-10-P-85	GJL1211919R8105	5	0.345
						0 1	VB6A-30-01-P-85	GJL1211919R8015	5	0.345

VB7A mini reversing contactors with safety blocking function

5.5	12	5	600 V // 16 A	24	24	1 0	VB7A-30-10-P-01	GJL1311919R0101	5	0.345
						0 1	VB7A-30-01-P-01	GJL1311919R0011	5	0.345
				42	42	1 0	VB7A-30-10-P-02	GJL1311919R0102	5	0.345
						0 1	VB7A-30-01-P-02	GJL1311919R0012	5	0.345
				48	48	1 0	VB7A-30-10-P-03	GJL1311919R0103	5	0.345
						0 1	VB7A-30-01-P-03	GJL1311919R0013	5	0.345
				110 ... 127	110 ... 127	1 0	VB7A-30-10-P-84	GJL1311919R8104	5	0.345
						0 1	VB7A-30-01-P-84	GJL1311919R8014	5	0.345
				220 ... 240	220 ... 240	1 0	VB7A-30-10-P-80	GJL1311919R8100	5	0.345
						0 1	VB7A-30-01-P-80	GJL1311919R8010	5	0.345
				380 ... 415	380 ... 415	1 0	VB7A-30-10-P-85	GJL1311919R8105	5	0.345
						0 1	VB7A-30-01-P-85	GJL1311919R8015	5	0.345

Other types on request

Main dimensions mm, inches



VB6A, VB7A

2CDC21007F0011

2CDC102027C0201

VBC7A 3-pole mini reversing contactors – with soldering pins

4 to 5.5 kW

DC operated – with safety blocking function

3



2CDC211009F0011

VBC7A-30-10-P

Description

VBC7A 3-pole compact design reversing contactors are space optimized control products mainly used for switching resistive or motor loads up to 690 V AC.

These reversing contactors are designed with:

- built-in mechanical interlock and safety blocking function. The safety blocking function is triggered if the voltage is applied to the coil of the contactor to be switched on before the contactor to be switched off has dropped out. The contactor coils are designed for continuous operation when the contactor is de-energised i.e. the coil is not damaged if the mechanical interlock prevents switch-on of the contactor with the coil voltage applied.
- control circuit: AC operated
 - low coil consumption (3.5 W at pull-in and at holding)
 - hum-free coil
- no auxiliary contact block permitted for mounting
- designed for soldering on PCB boards

Ordering details

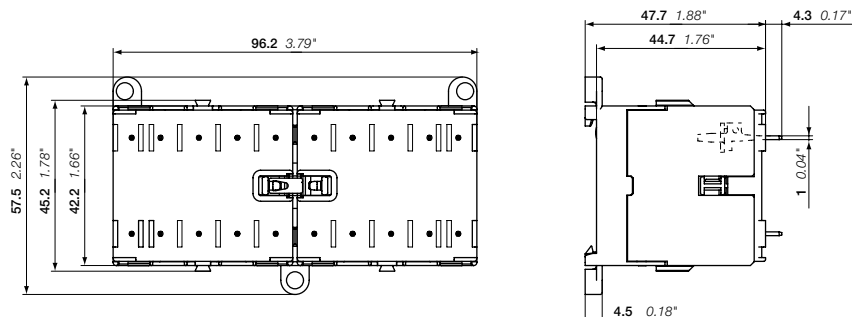
IEC		UL/CSA		Rated control circuit voltage U_c	Auxiliary contacts fitted	Type	Order code	Pkg qty	Weight (1 pce)
Rated operational power	current $\theta \leq 40^\circ\text{C}$	3-phase motor rating	General use rating						
400 V	AC-3	480 V		V DC					kg
kW	A	hp							

VBC7A mini reversing contactors with safety blocking function

Rated power (kW)	Rated current (A)	Motor rating (hp)	Rated voltage (V)	Rated current (A)	NO	NC	Type	Order code	Pkg qty	Weight (kg)
5.5	12	5	600 V / 16 A	12	1	0	VBC7A-30-10-P-07	GJL1313919R0107	5	0.345
					0	1	VBC7A-30-01-P-07	GJL1313919R0017	5	0.345
				24	1	0	VBC7A-30-10-P-01	GJL1313919R0101	5	0.345
					0	1	VBC7A-30-01-P-01	GJL1313919R0011	5	0.345
				48	1	0	VBC7A-30-10-P-16	GJL1313919R1106	5	0.345
					0	1	VBC7A-30-01-P-16	GJL1313919R1016	5	0.345
				60	1	0	VBC7A-30-10-P-03	GJL1313919R0103	5	0.345
					0	1	VBC7A-30-01-P-03	GJL1313919R0013	5	0.345
				110 ... 125	1	0	VBC7A-30-10-P-04	GJL1313919R0104	5	0.345
					0	1	VBC7A-30-01-P-04	GJL1313919R0014	5	0.345
				220 ... 240	1	0	VBC7A-30-10-P-05	GJL1313919R0105	5	0.345
					0	1	VBC7A-30-01-P-05	GJL1313919R0015	5	0.345

Other types on request

Main dimensions mm, inches



VBC7A

2CDC212007F0011

2CDC102028C0201

K6 4-pole mini contactor relays – with soldering pins AC operated



2CDC1102ZF0011

K6-22Z-P

Description

K6 4-pole mini-contactor relays are space optimized control products mainly used for control functions or for small loads up to 4 A.

These contactors are designed with:

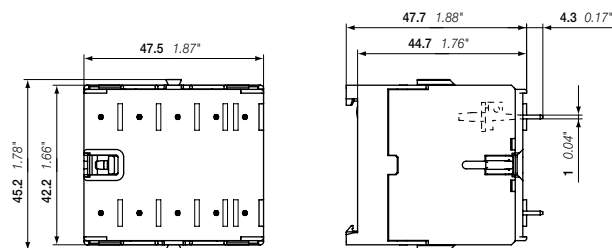
- 4-poles with various contact combinations
- control circuit: AC operated
 - low coil consumption (3.5 VA at pull-in and at holding)
- hum-free coil
- add-on auxiliary contact block for side mounting
- designed for soldering on PCB boards

Ordering details

Rated control circuit voltage U_c		Type	Order code	Pkg qty	Weight (1 pce)
50 Hz V AC	60 Hz V AC				kg
K6 4-pole mini contactor relays					
24	24	K6-22Z-P-01	GJH1211009R0221	10	0.170
42	42	K6-22Z-P-02	GJH1211009R0222	10	0.170
48	48	K6-22Z-P-03	GJH1211009R0223	10	0.170
110 ... 127	110 ... 127	K6-22Z-P-84	GJH1211009R8224	10	0.170
220 ... 240	220 ... 240	K6-22Z-P-80	GJH1211009R8220	10	0.170
380 ... 415	380 ... 415	K6-22Z-P-85	GJH1211009R8225	10	0.170
24	24	K6-31Z-P-01	GJH1211009R0311	10	0.170
42	42	K6-31Z-P-02	GJH1211009R0312	10	0.170
48	48	K6-31Z-P-03	GJH1211009R0313	10	0.170
110 ... 127	110 ... 127	K6-31Z-P-84	GJH1211009R8314	10	0.170
220 ... 240	220 ... 240	K6-31Z-P-80	GJH1211009R8310	10	0.170
380 ... 415	380 ... 415	K6-31Z-P-85	GJH1211009R8315	10	0.170
24	24	K6-40E-P-01	GJH1211009R0401	10	0.170
42	42	K6-40E-P-02	GJH1211009R0402	10	0.170
48	48	K6-40E-P-03	GJH1211009R0403	10	0.170
110 ... 127	110 ... 127	K6-40E-P-84	GJH1211009R8404	10	0.170
220 ... 240	220 ... 240	K6-40E-P-80	GJH1211009R8400	10	0.170
380 ... 415	380 ... 415	K6-40E-P-85	GJH1211009R8405	10	0.170

Other types on request

Main dimensions mm, inches



K6

2CDC12030F0011

2CDC102030C0201

KC6 4-pole mini contactor relays – with soldering pins DC operated

3



2CDC211029F0011

KC6-22Z-P



2CDC211023F0011

KC6-31Z-P

Description

KC6 4-pole mini-contactor relays are space optimized control products mainly used for control functions or for small loads up to 4 A.

These contactors are designed with:

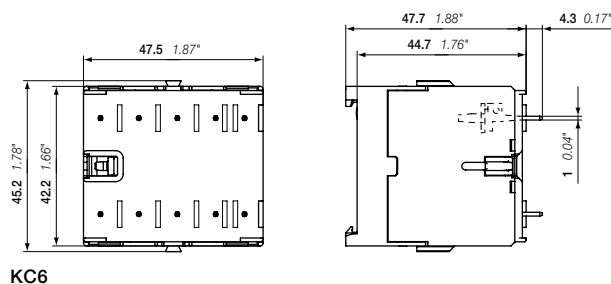
- 4-poles with various contact combinations
- control circuit: DC operated
 - low coil consumption (3.5 W at pull-in and at holding)
- hum-free coil
- add-on auxiliary contact block for side mounting
- designed for soldering on PCB boards

Ordering details

Rated control circuit voltage U_c V DC	Type	Order code	Pkg qty	Weight (1 pce) kg
K6 4-pole mini contactor relays				
12	KC6-22Z-P-07	GJH1213009R0227	10	0.170
24	KC6-22Z-P-01	GJH1213009R0221	10	0.170
48	KC6-22Z-P-16	GJH1213009R1226	10	0.170
110 ... 125	KC6-22Z-P-04	GJH1213009R0224	10	0.170
220 ... 240	KC6-22Z-P-05	GJH1213009R0225	10	0.170
24	KC6-31Z-P-01	GJH1213009R0311	10	0.170
48	KC6-31Z-P-16	GJH1213009R1316	10	0.170
110 ... 125	KC6-31Z-P-04	GJH1213009R0314	10	0.170
220 ... 240	KC6-31Z-P-05	GJH1213009R0315	10	0.170
12	KC6-40E-P-07	GJH1213009R0407	10	0.170
24	KC6-40E-P-01	GJH1213009R0401	10	0.170
48	KC6-40E-P-16	GJH1213009R1406	10	0.170
110 ... 125	KC6-40E-P-04	GJH1213009R0404	10	0.170
220 ... 240	KC6-40E-P-05	GJH1213009R0405	10	0.170

Other types on request

Main dimensions mm, inches



KC6

2CDC212003F0011

2CDC102031C0201

BC6, BC7 3-pole interface mini contactors – with soldering pins

4 to 5.5 kW

DC operated



BC7-30-10-P

2CDC211036F0011

Description

BC6, BC7 3-pole interface mini contactors are compact control products mainly used for switching resistive or motor loads up to 690 V AC.

These contactors are designed with:

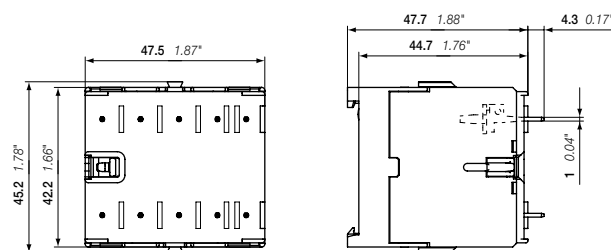
- 3 main poles and one built-in auxiliary contact
- control circuit: DC operated
 - low coil consumption (1.4 ... 2.4 W at pull-in and at holding)
- hum-free coil
- no auxiliary contact block permitted for mounting
- designed for soldering on PCB boards

Ordering details

IEC		UL/CSA		Rated control circuit voltage: U_c	Auxiliary contacts fitted	Type	Order code	Pkg qty	Weight (1 pce)	
Rated operational power	current $\theta \leq 40^\circ\text{C}$	3-phase motor rating	General use rating							
400 V AC-3 kW	AC-1 A	480 V hp		V DC					kg	
DC operation 24 V / 1.4 W										
4	12	3	300 V / 12 A	24	1 0	BC6-30-10-P-1.4-81	GJL1213009R8101	10	0.170	
					0 1	BC6-30-01-P-1.4-81	GJL1213009R8011	10	0.170	
5.5	12	5	600 V / 16 A	24	1 0	BC7-30-10-P-1.4-81	GJL1313009R8101	10	0.170	
					0 1	BC7-30-01-P-1.4-81	GJL1313009R8011	10	0.170	
DC operation 17 ... 32 V / 2.4 W, $I_{th} < 8\text{ A}$										
4	12	3	300 V / 12 A	17 ... 32	1 0	BC6-30-10-P-2.4-51	GJL1213009R5101	10	0.170	
					0 1	BC6-30-01-P-2.4-51	GJL1213009R5011	10	0.170	
5.5	12	5	600 V / 16 A	17 ... 32	1 0	BC7-30-10-P-2.4-51	GJL1313009R5101	10	0.170	
					0 1	BC7-30-01-P-2.4-51	GJL1313009R5011	10	0.170	

Other types on request

Main dimensions mm, inches



BC6, BC7

2CDC211036F0011

2CDC102029C0201

KC6 4-pole interface mini contactor relays – with solderings pins DC operated

3



2CDC211023F0011

KC6-31Z-P-1.4

Description

KC6 4-pole interface mini-contactor relays are space optimized control products mainly used for control functions or for small loads up to 4 A.

These contactors are designed with:

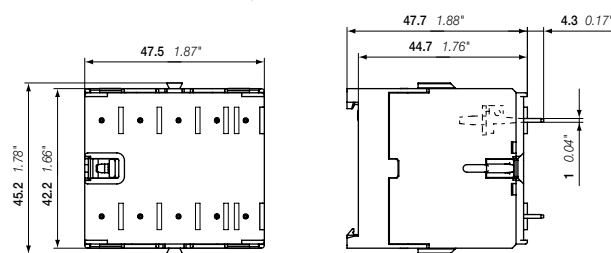
- 4-poles with various contact combinations
- control circuit: DC operated
 - low coil consumption (3.5 W at pull-in and at holding)
- hum-free coil
- add-on auxiliary contact block for side mounting
- designed for soldering on PCB boards

Ordering details

Rated control circuit voltage U_c V DC	Type	Order code	Pkg qty	Weight (1 pce) kg
DC operation 24 V / 1.4 W				
24	KC6-31Z-P-1.4-81	GJH1213009R8311	10	0.170
24	KC6-40E-P-1.4-81	GJH1213009R8401	10	0.170
DC operation 17 ... 32 V / 2.4 W				
17 ... 32	KC6-31Z-P-2.4-51	GJH1213009R5311	10	0.170
17 ... 32	KC6-40E-P-2.4-51	GJH1213009R5401	10	0.170

Other types on request

Main dimensions mm, inches



KC6

2CDC212003F0011

2CDC102032C0201

B6, B7 3-pole mini contactors – with flat pin connection

4 to 5.5 kW

AC operated



2CDC211002F0010

B6-30-10-F



2CDC211031F0011

B7-30-10-F

Description

B6..F, B7..F 3-pole mini contactors are compact control products mainly used for switching resistive or motor loads up to 690 V AC.

These contactors are designed with:

- flat pin connection for plug-in wiring and shake proven connection
- 3 main poles and one built-in auxiliary contact
- control circuit: AC operated
 - low coil consumption (3.5 VA at pull-in and at holding)
- hum-free coil
- add-on auxiliary contact blocks for side mounting
- designed for rail or wall mounting

Ordering details

IEC	Rated operational power	operational current $\theta \leq 40^\circ\text{C}$	UL/CSA 3-phase motor rating	General use rating	Rated control circuit voltage U_c		Auxiliary contacts fitted	Type	Order code	Pkg qty	Weight (1 pce)
					400 V AC-3 kW	AC-1 A					

B6 mini contactors

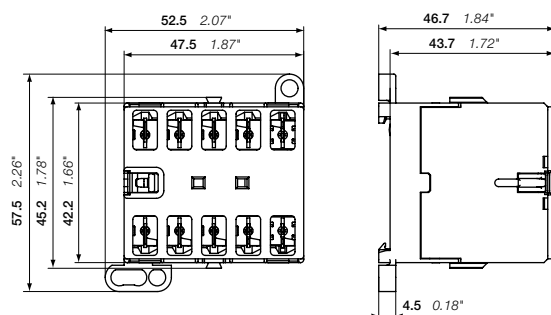
4	20	3	300 V / 12 A	24	24	1 0	B6-30-10-F-01	GJL1211003R0101	10	0.170
				42	42	0 1	B6-30-01-F-01	GJL1211003R0011	10	0.170
				48	48	1 0	B6-30-10-F-02	GJL1211003R0102	10	0.170
						0 1	B6-30-01-F-02	GJL1211003R0012	10	0.170
						1 0	B6-30-10-F-03	GJL1211003R0103	10	0.170
						0 1	B6-30-01-F-03	GJL1211003R0013	10	0.170
				110 ... 127	110 ... 127	1 0	B6-30-10-F-84	GJL1211003R8104	10	0.170
						0 1	B6-30-01-F-84	GJL1211003R8014	10	0.170
				220 ... 240	220 ... 240	1 0	B6-30-10-F-80	GJL1211003R8100	10	0.170
						0 1	B6-30-01-F-80	GJL1211003R8010	10	0.170
				380 ... 415	380 ... 415	1 0	B6-30-10-F-85	GJL1211003R8105	10	0.170
						0 1	B6-30-01-F-85	GJL1211003R8015	10	0.170

B7 mini contactors

5.5	20	5	600 V / 16 A	24	24	1 0	B7-30-10-F-01	GJL1311003R0101	10	0.170
						0 1	B7-30-01-F-01	GJL1311003R0011	10	0.170
				42	42	1 0	B7-30-10-F-02	GJL1311003R0102	10	0.170
						0 1	B7-30-01-F-02	GJL1311003R0012	10	0.170
				48	48	1 0	B7-30-10-F-03	GJL1311003R0103	10	0.170
						0 1	B7-30-01-F-03	GJL1311003R0013	10	0.170
				110 ... 127	110 ... 127	1 0	B7-30-10-F-84	GJL1311003R8104	10	0.170
						0 1	B7-30-01-F-84	GJL1311003R8014	10	0.170
				220 ... 240	220 ... 240	1 0	B7-30-10-F-80	GJL1311003R8100	10	0.170
						0 1	B7-30-01-F-80	GJL1311003R8010	10	0.170
				380 ... 415	380 ... 415	1 0	B7-30-10-F-85	GJL1311003R8105	10	0.170
						0 1	B7-30-01-F-85	GJL1311003R8015	10	0.170

Other types on request

Main dimensions mm, inches



B6, B7

BC6, BC7 3-pole mini contactors – with flat pin connection

4 to 5.5 kW

DC operated

3



2CDC211041F0011

BC6-30-10-F



2CDC211024F0011

BC7-30-10-F

Description

BC6, BC7 3-pole mini contactors are compact control products mainly used for switching resistive or motor loads up to 690 V AC.

These contactors are designed with:

- flat pin connection for plug-in wiring and shake proven connection
- 3 main poles and one built-in auxiliary contact
- control circuit: DC operated
 - low coil consumption (3.5 W at pull-in and at holding)
- hum-free coil
- add-on auxiliary contact blocks for side mounting
- designed for rail or wall mounting

Ordering details

IEC	UL/CSA	Rated control circuit voltage U_c	Auxiliary contacts fitted	Type	Order code	Pkg qty	Weight (1 pce)
Rated operational power 400 V AC-3 kW	3-phase motor rating 480 V hp	General use rating V DC					kg
current I_n A	$\theta \leq 40^\circ\text{C}$						

BC6 mini contactors

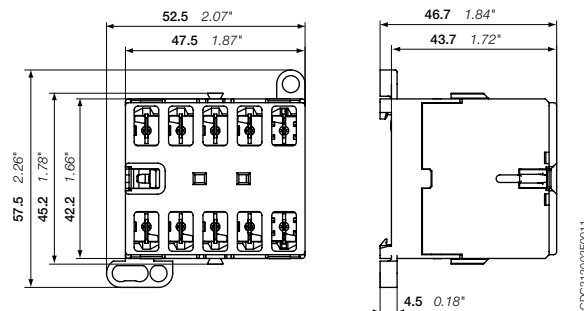
Rated operational power	Rated current I_n	3-phase motor rating	Rated control circuit voltage U_c	Auxiliary contacts fitted	Type	Order code	Pkg qty	Weight (1 pce)
4 kW	20 A	3 hp	300 V / 12 A	1 0	BC6-30-10-F-07	GJL1213003R0107	10	0.170
				0 1	BC6-30-01-F-07	GJL1213003R0017	10	0.170
				1 0	BC6-30-10-F-01	GJL1213003R0101	10	0.170
				0 1	BC6-30-01-F-01	GJL1213003R0011	10	0.170
				1 0	BC6-30-10-F-16	GJL1213003R1106	10	0.170
				0 1	BC6-30-01-F-16	GJL1213003R1016	10	0.170
				1 0	BC6-30-10-F-03	GJL1213003R0103	10	0.170
				0 1	BC6-30-01-F-03	GJL1213003R0013	10	0.170
				1 0	BC6-30-10-F-04	GJL1213003R0104	10	0.170
				0 1	BC6-30-01-F-04	GJL1213003R0014	10	0.170
				1 0	BC6-30-10-F-05	GJL1213003R0105	10	0.170
				0 1	BC6-30-01-F-05	GJL1213003R0015	10	0.170

BC7 mini contactors

Rated operational power	Rated current I_n	3-phase motor rating	Rated control circuit voltage U_c	Auxiliary contacts fitted	Type	Order code	Pkg qty	Weight (1 pce)
5.5 kW	20 A	5 hp	600 V / 16 A	1 0	BC7-30-10-F-07	GJL1313003R0107	10	0.170
				0 1	BC7-30-01-F-07	GJL1313003R0017	10	0.170
				1 0	BC7-30-10-F-01	GJL1313003R0101	10	0.170
				0 1	BC7-30-01-F-01	GJL1313003R0011	10	0.170
				1 0	BC7-30-10-F-16	GJL1313003R1106	10	0.170
				0 1	BC7-30-01-F-16	GJL1313003R1016	10	0.170
				1 0	BC7-30-10-F-03	GJL1313003R0103	10	0.170
				0 1	BC7-30-01-F-03	GJL1313003R0013	10	0.170
				1 0	BC7-30-10-F-04	GJL1313003R0104	10	0.170
				0 1	BC7-30-01-F-04	GJL1313003R0014	10	0.170
				1 0	BC7-30-10-F-05	GJL1313003R0105	10	0.170
				0 1	BC7-30-01-F-05	GJL1313003R0015	10	0.170

Other types on request

Main dimensions mm, inches



BC6, BC7

VB7 3-pole mini reversing contactors – with flat pin connection

4 to 5.5 kW

AC operated



2CDC211006F0011

VB7-30-10-F

Description

VB7 3-pole compact design reversing contactors are space optimized control products mainly used for switching resistive or motor loads up to 690 V AC.

These reversing contactors are designed with:

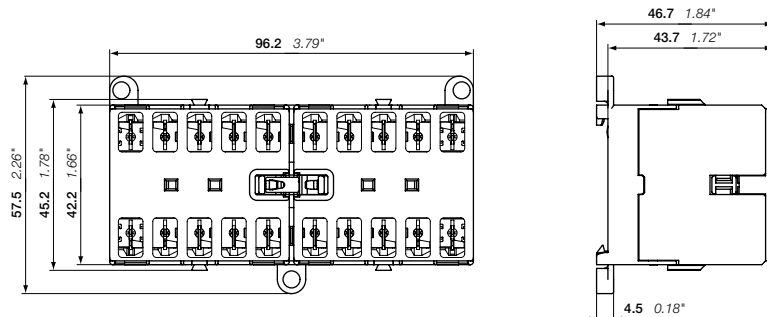
- built-in mechanical interlock. The coils must be mutually interlocked electrically and coils must be de-energised for 50 ms at least to prevent phase to phase short circuit on the arc.
- flat pin connection for plug-in wiring and shake proven connection
- control circuit: AC operated
 - low coil consumption (3.5 VA at pull-in and at holding)
- hum-free coil
- no auxiliary contact block permitted for mounting
- for rail and wall mounting

Ordering details

IEC Rated power 400 V AC-3 kW	operational current $\theta \leq 40^\circ\text{C}$ AC-1 A	UL/CSA 3-phase motor rating 480 V hp	General use rating	Rated control circuit voltage U_c		Auxiliary contacts fitted 	Type	Order code	Pkg qty	Weight (1 pce) kg
				50 Hz V AC	60 Hz V AC					
VB7 mini reversing contactors										
5.5	20	5	600 V / 16 A	24	24	1 0	VB7-30-10-F-01	GJL1311903R0101	5	0.345
						0 1	VB7-30-01-F-01	GJL1311903R0011	5	0.345
				42	42	1 0	VB7-30-10-F-02	GJL1311903R0102	5	0.345
						0 1	VB7-30-01-F-02	GJL1311903R0012	5	0.345
				48	48	1 0	VB7-30-10-F-03	GJL1311903R0103	5	0.345
						0 1	VB7-30-01-F-03	GJL1311903R0013	5	0.345
				110 ... 127	110 ... 127	1 0	VB7-30-10-F-84	GJL1311903R8104	5	0.345
						0 1	VB7-30-01-F-84	GJL1311903R8014	5	0.345
				220 ... 240	220 ... 240	1 0	VB7-30-10-F-80	GJL1311903R8100	5	0.345
						0 1	VB7-30-01-F-80	GJL1311903R8010	5	0.345
				380 ... 415	380 ... 415	1 0	VB7-30-10-F-85	GJL1311903R8105	5	0.345
						0 1	VB7-30-01-F-85	GJL1311903R8015	5	0.345

Other types on request

Main dimensions mm, inches



VB7

2CDC211006F0011

2CDC102035C0201

VBC7 3-pole mini reversing contactors – with flat pin connection

4 to 5.5 kW

DC operated

3



2CDC211009F0011

VBC7-30-10-F

Description

VBC7 3-pole compact design reversing contactors are space optimized control products mainly used for switching resistive or motor loads up to 690 V AC.

These reversing contactors are designed with:

- built-in mechanical interlock. The coils must be mutually interlocked electrically and coils must be de-energised for 50 ms at least to prevent phase to phase short circuit on the arc
- flat pin connection for plug-in wiring and shake proven connection
- control circuit: DC operated
 - low coil consumption (3.5 W at pull-in and at holding)
 - hum-free coil
- no auxiliary contact block permitted for mounting
- for rail and wall mounting

Ordering details

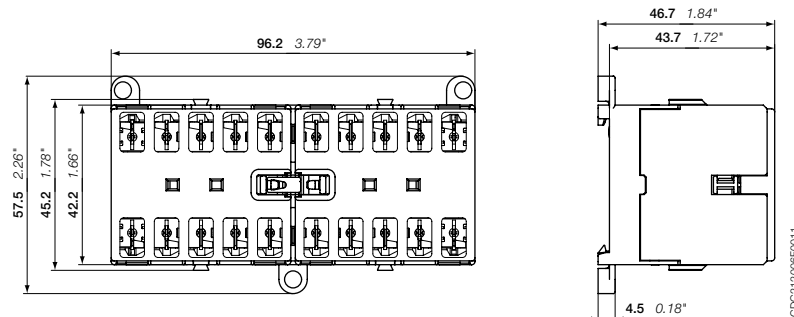
IEC		UL/CSA		Rated control circuit voltage U_c	Auxiliary contacts fitted	Type	Order code	Pkg qty	Weight (1 pce)
Rated operational power	current $\theta \leq 40^\circ\text{C}$	3-phase motor rating	General use rating						
400 V	AC-3	480 V		V DC					kg
kW	AC-1	hp							

VBC7 mini reversing contactors

Rated power (kW)	Rated current (A)	3-phase motor rating (hp)	Rated voltage (V)	Rated current (A)	Number of contacts	Order code	Order code	Pkg qty	Weight (kg)
5.5	20	5	600 V / 16 A	12	1 0	VBC7-30-10-F-07	GJL1313903R0107	5	0.345
					0 1	VBC7-30-01-F-07	GJL1313903R0017	5	0.345
				24	1 0	VBC7-30-10-F-01	GJL1313903R0101	5	0.345
					0 1	VBC7-30-01-F-01	GJL1313903R0011	5	0.345
				48	1 0	VBC7-30-10-F-16	GJL1313903R1106	5	0.345
					0 1	VBC7-30-01-F-16	GJL1313903R1016	5	0.345
				60	1 0	VBC7-30-10-F-03	GJL1313903R0103	5	0.345
					0 1	VBC7-30-01-F-03	GJL1313903R0013	5	0.345
				110 ... 125	1 0	VBC7-30-10-F-04	GJL1313903R0104	5	0.345
					0 1	VBC7-30-01-F-04	GJL1313903R0014	5	0.345
				220 ... 240	1 0	VBC7-30-10-F-05	GJL1313903R0105	5	0.345
					0 1	VBC7-30-01-F-05	GJL1313903R0015	5	0.345

Other types on request

Main dimensions mm, inches



VBC7

2CDC212009F0011

2CDC102036C0201

VB7A 3-pole mini reversing contactors – with flat pin connection

4 to 5.5 kW

AC operated – with safety blocking function



VB7A-30-10-F

2CDC211003F0011

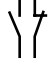
Description

VB7A 3-pole compact design reversing contactors are space optimized control products mainly used for switching resistive or motor loads up to 690 V AC.

These reversing contactors are designed with:

- built-in mechanical interlock and safety blocking function. The safety blocking function is triggered if the voltage is applied to the coil of the contactor to be switched on before the contactor to be switched off has dropped out. The contactor coils are designed for continuous operation when the contactor is de-energised i.e. the coil is not damaged if the mechanical interlock prevents switch-on of the contactor with the coil voltage applied.
- flat pin connection for plug-in wiring and shake proven connection
- control circuit: AC operated
 - low coil consumption (3.5 VA at pull-in and at holding)
- hum-free coil
- no auxiliary contact block permitted for mounting
- for rail and wall mounting

Ordering details

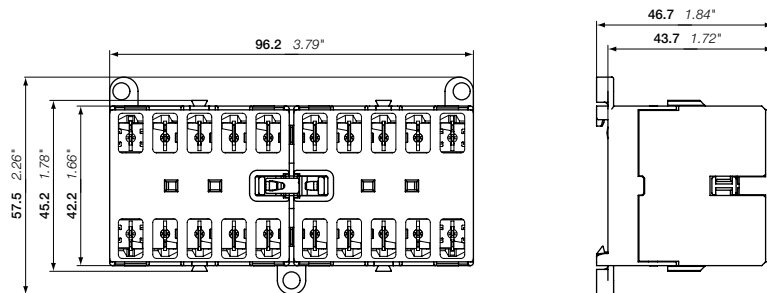
IEC Rated operational power 400 V AC-3 kW	UL/CSA 3-phase motor rating hp	General use rating	Rated control circuit voltage U_c		Auxiliary contacts fitted 	Type	Order code	Pkg qty	Weight (1 pce) kg
			50 Hz V AC	60 Hz V AC					

VB7A mini reversing contactors with safety blocking function

5.5	20	5	600 V / 16 A	24	24	1 0 0 1	VB7A-30-10-F-01	GJL1311913R0101	5	0.345
				42	42	1 0 0 1	VB7A-30-01-F-01 VB7A-30-01-F-02	GJL1311913R0011 GJL1311913R0102	5	0.345
				48	48	1 0 0 1	VB7A-30-10-F-03 VB7A-30-01-F-03	GJL1311913R0103 GJL1311913R0013	5	0.345
				110 ... 127	110 ... 127	1 0 0 1	VB7A-30-10-F-84 VB7A-30-01-F-84	GJL1311913R8104 GJL1311913R8014	5	0.345
				220 ... 240	220 ... 240	1 0 0 1	VB7A-30-10-F-80 VB7A-30-01-F-80	GJL1311913R8100 GJL1311913R8010	5	0.345
				380 ... 415	380 ... 415	1 0 0 1	VB7A-30-10-F-85 VB7A-30-01-F-85	GJL1311913R8105 GJL1311913R8015	5	0.345

Other types on request

Main dimensions mm, inches



VB7A

2CDC212006F0011

VBC7A 3-pole mini reversing contactors – with flat pin connection 4 to 5.5 kW DC operated – with safety blocking function

3



2CDC21002F0011

VBC7A-30-10-F

Description

VBC7A 3-pole compact design reversing contactors are space optimized control products mainly used for switching resistive or motor loads up to 690 V AC.

These reversing contactors are designed with:

- built-in mechanical interlock and safety blocking function. The safety blocking function is triggered if the voltage is applied to the coil of the contactor to be switched on before the contactor to be switched off has dropped out. The contactor coils are designed for continuous operation when the contactor is de-energised i.e. the coil is not damaged if the mechanical interlock prevents switch-on of the contactor with the coil voltage applied.
- flat pin connection for plug-in wiring and shake proven connection
- control circuit: DC operated
 - low coil consumption (3.5 W at pull-in and at holding)
 - hum-free coil
 - no auxiliary contact block permitted for mounting
- for rail and wall mounting

Ordering details

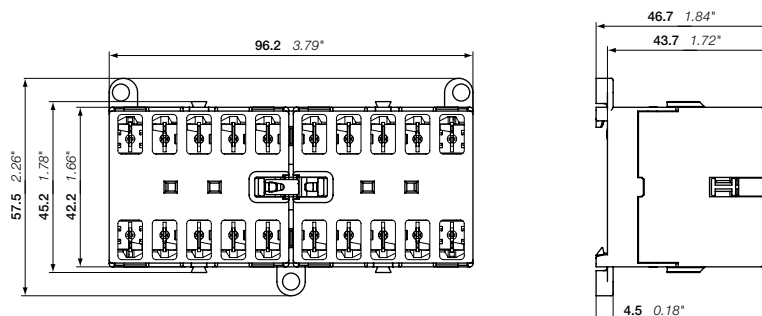
IEC	UL/CSA	Rated control circuit voltage U_c	Auxiliary contacts fitted	Type	Order code	Pkg qty	Weight (1 pce)
Rated operational power 400 V AC-3 kW	3-phase motor rating 480 V AC-1 A hp	General use rating V DC					kg

VBC7A mini reversing contactors with safety blocking function

Rated operational power (kW)	Rated operational current (A)	3-phase motor rating (hp)	Rated control circuit voltage (V DC)	Auxiliary contacts	Type	Order code	Pkg qty	Weight (kg)
5.5	20	5	600 V / 16 A	1 0	VBC7A-30-10-F-07	GJL1313913R0107	5	0.345
				0 1	VBC7A-30-01-F-07	GJL1313913R0017	5	0.345
			24	1 0	VBC7A-30-10-F-01	GJL1313913R0101	5	0.345
				0 1	VBC7A-30-01-F-01	GJL1313913R0011	5	0.345
			48	1 0	VBC7A-30-10-F-16	GJL1313913R1106	5	0.345
				0 1	VBC7A-30-01-F-16	GJL1313913R1016	5	0.345
			60	1 0	VBC7A-30-10-F-03	GJL1313913R0103	5	0.345
				0 1	VBC7A-30-01-F-03	GJL1313913R0013	5	0.345
			110 ... 125	1 0	VBC7A-30-10-F-04	GJL1313913R0104	5	0.345
				0 1	VBC7A-30-01-F-04	GJL1313913R0014	5	0.345
			220 ... 240	1 0	VBC7A-30-10-F-05	GJL1313913R0105	5	0.345
				0 1	VBC7A-30-01-F-05	GJL1313913R0015	5	0.345

Other types on request

Main dimensions mm, inches



VBC7A

2CDC21002F0011

2CDC102038C0201

BC6, BC7 3-pole interface mini contactors – with flat pin connection 4 to 5.5 kW DC operated



BC6-30-10-F

2CDC211041F0011



BC7-30-10-F

2CDC211024F0011

Description

BC6, BC7 3-pole interface mini contactors are compact control products mainly used for switching resistive or motor loads up to 690 V AC.

These contactors are designed with:

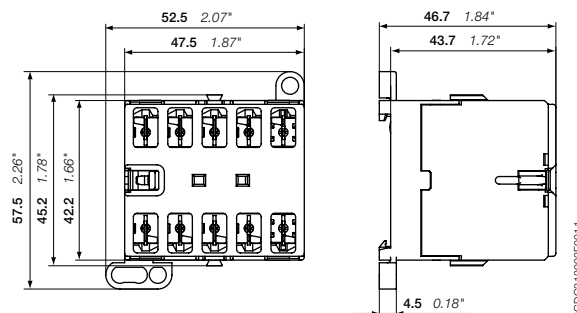
- flat pin connection for plug-in wiring and shake proven connection
- 3 main poles and one built-in auxiliary contact
- control circuit: DC operated
 - low coil consumption (1.4 ... 2.4 W at pull-in and at holding)
- hum-free coil
- no auxiliary contact block permitted for mounting
- designed for rail or wall mounting

Ordering details

IEC	UL/CSA	Rated control circuit voltage: U_c	Auxiliary contacts fitted	Type	Order code	Pkg qty	Weight (1 pce)		
Rated operational power 400 V AC-3 kW	current $\theta \leq 40^\circ\text{C}$ AC-1 A	3-phase motor rating 480 V hp	General use rating				kg		
DC operation 24 V / 1.4 W									
4	20	3	300 V / 12 A	24	1 0 0 1	BC6-30-10-F-1.4-81 BC6-30-01-F-1.4-81	GJL1213003R8101 GJL1213003R8011	10	0.170
5.5	20	5	600 V / 16 A	24	1 0 0 1	BC7-30-10-F-1.4-81 BC7-30-01-F-1.4-81	GJL1313003R8101 GJL1313003R8011	10	0.170
DC operation 17 ... 32 V / 2.4 W									
4	20	3	300 V / 12 A	17 ... 32	1 0 0 1	BC6-30-10-F-2.4-51 BC6-30-01-F-2.4-51	GJL1213003R5101 GJL1213003R5011	10	0.170
5.5	20	5	600 V / 16 A	17 ... 32	1 0 0 1	BC7-30-10-F-2.4-51 BC7-30-01-F-2.4-51	GJL1313003R5101 GJL1313003R5011	10	0.170

Other types on request

Main dimensions mm, inches



BC6, BC7

2CDC212022F0011

K6 4-pole mini contactor relays – with flat pin connection AC operated

3



2CDC021103490011

K6-22Z-F

Description

K6 4-pole mini-contactor relays are space optimized control products mainly used for control functions or for small loads up to 4 A.

These contactors are designed with:

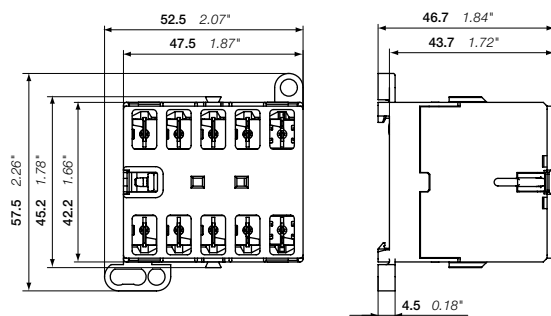
- flat pin connection for plug-in wiring and shake proven connection
- 4-poles with various contact combinations
- control circuit: AC operated
 - low coil consumption (3.5 VA at pull-in and at holding)
- hum-free coil
- add-on auxiliary contact blocks for side mounting
- for rail and wall mounting
- add-on auxiliary contact blocks for side mounting

Ordering details

Rated control circuit voltage U_c		Type	Order code	Pkg qty	Weight (1 pce) kg
50 Hz V AC	60 Hz V AC				
K6 4-pole mini contactor relays					
24	24	K6-22Z-F-01	GJH1211003R0221	10	0.170
42	42	K6-22Z-F-02	GJH1211003R0222	10	0.170
48	48	K6-22Z-F-03	GJH1211003R0223	10	0.170
110 ... 127	110 ... 127	K6-22Z-F-84	GJH1211003R8224	10	0.170
220 ... 240	220 ... 240	K6-22Z-F-80	GJH1211003R8220	10	0.170
380 ... 415	380 ... 415	K6-22Z-F-85	GJH1211003R8225	10	0.170
24	24	K6-31Z-F-01	GJH1211003R0311	10	0.170
42	42	K6-31Z-F-02	GJH1211003R0312	10	0.170
48	48	K6-31Z-F-03	GJH1211003R0313	10	0.170
110 ... 127	110 ... 127	K6-31Z-F-84	GJH1211003R8314	10	0.170
220 ... 240	220 ... 240	K6-31Z-F-80	GJH1211003R8310	10	0.170
380 ... 415	380 ... 415	K6-31Z-F-85	GJH1211003R8315	10	0.170
24	24	K6-40E-F-01	GJH1211003R0401	10	0.170
42	42	K6-40E-F-02	GJH1211003R0402	10	0.170
48	48	K6-40E-F-03	GJH1211003R0403	10	0.170
110 ... 127	110 ... 127	K6-40E-F-84	GJH1211003R8404	10	0.170
220 ... 240	220 ... 240	K6-40E-F-80	GJH1211003R8400	10	0.170
380 ... 415	380 ... 415	K6-40E-F-85	GJH1211003R8405	10	0.170

Other types on request

Main dimensions mm, inches



K6

2CDC0212020F0011

2CDC102040C0201

KC6 4-pole mini contactor relays – with flat pin connection DC operated



KC6-22Z-F-01

2CDC21102BF0011

Description

KC6 4-pole mini-contactor relays are space optimized control products mainly used for control functions or for small loads up to 4 A.

These contactors are designed with:

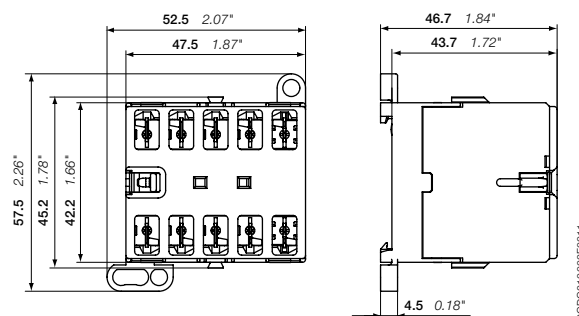
- flat pin connection for plug-in wiring and shake proven connection
- 4-poles with various contact combinations
- control circuit: AC operated
 - low coil consumption (3.5 VA at pull-in and at holding)
- hum-free coil
- add-on auxiliary contact blocks for side mounting
- for rail and wall mounting

Ordering details

Rated control circuit voltage U_c V DC	Type	Order code	Pkg qty	Weight (1 pce) kg
K6 4-pole mini contactor relays				
12	KC6-22Z-F-07	GJH1213003R0227	10	0.170
24	KC6-22Z-F-01	GJH1213003R0221	10	0.170
48	KC6-22Z-F-16	GJH1213003R1226	10	0.170
110 ... 125	KC6-22Z-F-04	GJH1213003R0224	10	0.170
220 ... 240	KC6-22Z-F-05	GJH1213003R0225	10	0.170
12	KC6-31Z-F-07	GJH1213003R0317	10	0.170
24	KC6-31Z-F-01	GJH1213003R0311	10	0.170
48	KC6-31Z-F-16	GJH1213003R1316	10	0.170
110 ... 125	KC6-31Z-F-04	GJH1213003R0314	10	0.170
220 ... 240	KC6-31Z-F-05	GJH1213003R0315	10	0.170
24	KC6-40E-F-01	GJH1213003R0401	10	0.170
48	KC6-40E-F-16	GJH1213003R1406	10	0.170
110 ... 125	KC6-40E-F-04	GJH1213003R0404	10	0.170
220 ... 240	KC6-40E-F-05	GJH1213003R0405	10	0.170

Other types on request

Main dimensions mm, inches



KC6

2CDC21102BF0011

2CDC102041C0201

KC6 4-pole interface mini contactor relays – with flat pin connection DC operated

3



2CDC211038P0011

KC6-31Z-F-05

Description

KC6 4-pole interface mini-contactor relays are space optimized control products mainly used for control functions or for small loads up to 4 A.

These contactors are designed with:

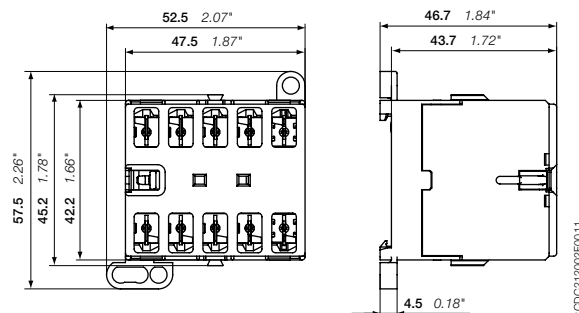
- flat pin connection for plug-in wiring and shake proven connection
- 4-poles with various contact combinations
- control circuit: AC operated
 - low coil consumption (1.4 ... 2.4 W at pull-in and at holding)
- hum-free coil
- no auxiliary contact block permitted for mounting
- for rail and wall mounting
- no add-on auxiliary contact blocks possible

Ordering details

Rated control circuit voltage U_c V DC	Type	Order code	Pkg qty	Weight (1 pce) kg
DC operation 24 V / 1.4 W				
24	KC6-31Z-F-1.4-81	GJH1213003R8311	10	0.170
24	KC6-40E-F-1.4-81	GJH1213003R8401	10	0.170
DC operation 17 ... 32 V / 2.4 W				
17 ... 32	KC6-31Z-F-51	GJH1213003R5311	10	0.170
17 ... 32	KC6-40E-F-51	GJH1213003R5401	10	0.170

Other types on request

Main dimensions mm, inches



KC6

2CDC21202P0011

2CDC102045C0201

B6, B7, BC6, BC7 3- and 4-pole mini contactors

VB6, VB7, VBC6, VBC7 3-pole mini reversing contactors

Accessories



2CDC11012F0010

CAF6-11N



2CDC211007F0010

RV-BC6/250



2CDC211008F0010

CA6-11E



2CDC211018F0011

CA6-11E-P



2CDC211028F0011

CA6-11E-F



SS27792R

BSM6-30



2CDC231012F0011

T16-16

Ordering details

Suitable for	Auxiliary contacts	Type	Order code	Pkg qty	Weight (1 pce)
					kg

Front mounted instantaneous auxiliary contact blocks (not allowed for mounting on TBC, B6S, B7S, interface contactors) ¹⁾

B6-, B7-40-00, BC6-, BC7-40-00	1 1	CAF6-11E	GJL1201330R0002	10	0.020
VB6, VB7, VBC6, VBC7, VB6A, VB7A	2 0	CAF6-20E	GJL1201330R0006	10	0.020
VBC6A, VBC7A	0 2	CAF6-02E	GJL1201330R0010	10	0.020
B6-, B7-30-10, BC6-, BC7-30-10	1 1	CAF6-11M	GJL1201330R0003	10	0.020
VB6, VB7, VBC6, VBC7, VB6A, VB7A	2 0	CAF6-20M	GJL1201330R0007	10	0.020
VBC6A, VBC7A	0 2	CAF6-02M	GJL1201330R0011	10	0.020
B6-, B7-30-01, BC6-, BC7-30-01	1 1	CAF6-11N	GJL1201330R0004	10	0.020
VB6, VB7, VBC6, VBC7, VB6A, VB7A	2 0	CAF6-20N	GJL1201330R0008	10	0.020
VBC6A, VBC7A	0 2	CAF6-02N	GJL1201330R0012	10	0.020

Side mounted instantaneous auxiliary contact block ¹⁾

B6-, B7-40-00, BC6-, BC7-40-00	1 1	CA6-11E	GJL1201317R0002	10	0.030
B6-, B7-30-10, BC6-, BC7-30-10	1 1	CA6-11M	GJL1201317R0003	10	0.030
B6-, B7-30-01, BC6-, BC7-30-01	1 1	CA6-11N	GJL1201317R0004	10	0.030

Side mounted instantaneous auxiliary contact block with soldering pins ²⁾

B6-, B7-40-00-P, BC6-, BC7-40-00-P	1 1	CA6-11E-P	GJL1201319R0002	10	0.025
B6-, B7-30-10-P, BC6-, BC7-30-10-P	1 1	CA6-11M-P	GJL1201319R0003	10	0.025
B6-, B7-30-01-P, BC6-, BC7-30-01-P	1 1	CA6-11N-P	GJL1201319R0004	10	0.025

Side mounted instantaneous auxiliary contact block with flat pin connection ²⁾

B6-, B7-40-00-F, BC6-, BC7-40-00-F	1 1	CA6-11E-F	GJL1201318R0002	10	0.025
B6-, B7-30-10-F, BC6-, BC7-30-10-F	1 1	CA6-11M-F	GJL1201318R0003	10	0.025
B6-, B7-30-01-F, BC6-, BC7-30-01-F	1 1	CA6-11N-F	GJL1201318R0004	10	0.025

Soldering receptacle (I_{in} = 10 A, AC-3: 500 V / 8 A, 690 V / 3.5 A, UL: 300 V / 8 A)

B6, B7, BC6, BC7	LB6	GJL1201902R0001	10	0.020
2-pole aux.contact blocks CA	LB6-CA	GJL1201903R0001	10	0.010

¹⁾ CA6 and CAF6 must not be fitted simultaneously.

Suitable for	Rated control circuit voltage U _c V DC	Connection type	Type	Order code	Pkg qty	Weight (1 pce)
						kg

Surge suppressors for contactor coils

BC6, BC7	24 ... 60	Cable lug	RV-BC6/60	GHV2501902R0002	10	0.005
		Flat pin, 2.8 mm	RV-BC6-F/60	GHV2501902R0003	10	0.005
	50 ... 250	Cable lug	RV-BC6/250	GHV2501903R0002	10	0.005
		Flat pin, 2.8 mm	RV-BC6-F/250	GHV2501903R0003	10	0.010
	380	Cable lug	RV-BC6/380	GHV2501904R0002	10	0.005
		Flat pin, 2.8 mm	RV-BC6-F/380	GHV2501904R0003	10	0.010

Note: Mini contactors for AC operation have an integrated protective circuit

Connecting links with manual motor starters

To connect B..VB.. mini contactor to MS116, MS132	BEA7/132	1SBN080906R1002	10	0.013
To connect B..VB.. mini contactors to MS325	BEA7/325	1SBN080906R1001	10	0.021

Connection sets for reversing contactors

VB6, VB7, VBC6, VBC7, VB6A, VB7A, VBC6A, VBC7A, cross-section 1.8 mm ²	BSM6-30	GJL1201908R0001	10	0.010
---	---------	-----------------	----	-------

Parallel connecting link

B6, B7, BC6, BC7	LP6	GJL1201907R0001	100	0.009
------------------	-----	-----------------	-----	-------

Cover cap, transparent fitting to DIN rail design, sealable

B6, B7, BC6, BC7	LT6-B	GJL1201906R0001	10	0.015
------------------	-------	-----------------	----	-------

Plastic label for markings

B6, B7, BC6, BC7	BA5-50	1SBN110000R1000	50	0.020
------------------	--------	-----------------	----	-------

Thermal overload relays

	T16 (see page 2CDC106036C0201)		1	0.100
--	--------------------------------	--	---	-------

K6, KC6 4-pole mini contactor relays

Accessories

3



2CDC211019FC011

CAF6-11K



2CDC211009F0010

CA6-11K



2CDC211011F0010

CA6-11K-P



2CDC211010F0010

CA6-11K-F



2CDC211006F0010

LT6-B



2CDC211007F0010

RV-BC6/250

Ordering details

Suitable for	Auxiliary contacts	Type	Order code	Pkg qty	Weight (1 pce)
					kg

Front mounted instantaneous auxiliary contact blocks ¹⁾

K6, KC6	1 1	CAF6-11K	GJL1201330R0001	10	0.020
	2 0	CAF6-20K	GJL1201330R0005	10	0.020
	0 2	CAF6-02K	GJL1201330R0009	10	0.020

Side mounted instantaneous auxiliary contact block ¹⁾

K6, KC6	1 1	CA6-11K	GJL1201317R0001	10	0.030
---------	-----	---------	-----------------	----	-------

Side mounted instantaneous auxiliary contact block with soldering pins ²⁾

K6..P, KC6..P	1 1	CA6-11K-P	GJL1201319R0001	10	0.025
---------------	-----	-----------	-----------------	----	-------

Side mounted instantaneous auxiliary contact block with flat pin connection ²⁾

K6..F, KC6..F	1 1	CA6-11K-F	GJL1201318R0001	10	0.025
---------------	-----	-----------	-----------------	----	-------

Soldering receptacle ($I_g < 8 A$)

K6, KC6	LB6	GJL1201902R0001	10	0.020
2-pole auxiliary contact blocks CA	LB6-CA	GJL1201903R0001	10	0.010

¹⁾ CA6 and CAF6 must not be fitted simultaneously.

Suitable for	Rated control circuit voltage U_c V DC	Connection type	Type	Order code	Pkg qty	Weight (1 pce)
						kg

Surge suppressors for contactor coils

KC6	24 ... 60	Cable lug	RV-BC6/60	GHV2501902R0002	10	0.005
		Flat pin, 2.8 mm	RV-BC6-F/60	GHV2501902R0003	10	0.005
	50 ... 250	Cable lug	RV-BC6/250	GHV2501903R0002	10	0.005
		Flat pin, 2.8 mm	RV-BC6-F/250	GHV2501903R0003	10	0.010
	380	Cable lug	RV-BC6/380	GHV2501904R0002	10	0.005
		Flat pin, 2.8 mm	RV-BC6-F/380	GHV2501904R0003	10	0.010

Note: Mini contactors for AC operation have an integrated protective circuit



Cover cap, transparent fitting to DIN rail design, sealable

K6, KC6	LT6-B	GJL1201906R0001	10	0.015
---------	-------	-----------------	----	-------

B6, B7, BC6, BC7, TBC7 3- and 4-pole mini contactors VB6, VB7, VBC6, VBC7 3- and 4-pole mini reversing contactors

Technical data

Main pole – Utilization characteristics according to IEC

Contactor types	AC operated	B6, VB6, VB6A	B7, VB7, VB7A
	DC operated	BC6, VBC6, VBC6A	BC7, TBC7, VBC7, VBC7A
Standards		IEC/EN 60947-1, IEC/EN 60947-4-1	
Rated operational voltage $U_{e \max}$		690 V AC	
Rated frequency (without derating)		DC or 50 / 60 Hz	
Conventional free-air thermal current I_{th} acc. to IEC 60947-4-1, open contactors, $\theta \leq 40^\circ\text{C}$, with conductor cross-sectional area		Screw terminal types: 20 A Flat pin types: 20 A Soldering pin types: 12 A	
AC-1 Utilization category for air temperature close to contactor $\theta \leq 40^\circ\text{C}$			
I_e / Rated operational current AC-1 $U_{e \max} \leq 690\text{ V, 50/60 Hz}$	220-230-240 V	Screw terminal types: 20 A Flat pin types: 20 A Soldering pin types: 12 A	
	380-400 V	Screw terminal types: 20 A Flat pin types: 20 A Soldering pin types: 12 A	
	440 V	Screw terminal types: 20 A Flat pin types: 20 A Soldering pin types: 12 A	
	500 V	12 A	
	690 V	6 A	
AC-1 Utilization category for air temperature close to contactor $\theta \leq 55^\circ\text{C}$			
I_e / Rated operational current AC-1 $U_{e \max} \leq 690\text{ V, 50/60 Hz}$	220-230-240 V	Screw terminal types: 16 A Flat pin types: 16 A Soldering pin types: 12 A	
	380-400 V	Screw terminal types: 16 A Flat pin types: 16 A Soldering pin types: 12 A	
	440 V	Screw terminal types: 16 A Flat pin types: 16 A Soldering pin types: 12 A	
	500 V	12 A	
	690 V	6 A	
AC-3 Utilization category for air temperature close to contactor $\theta \leq 55^\circ\text{C}$			
I_e / Rated operational current AC-3 	220 / 230 / 240 V	8.9 / 8.5 / 8.1 A	11.8 / 11.3 / 10.8 A
	380 / 400 V	8.9 / 8.5 A	12.1 / 11.5 A
	440 V	7.4 A	10.1 A
	500 V	6.8 A	9.2 A
	690 V	3.8 A	3.8 A
Rated operational power AC-3  1500 r.p.m. 50 Hz 1800 r.p.m. 60 Hz 3-phase motors	220-230-240 V	2.2 kW	3 kW
	380-400 V	4 kW	5.5 kW
	440 V	4 kW	5.5 kW
	500 V	4 kW	5.5 kW
	690 V	3 kW	3 kW
DC-1 Utilization category for air temperature close to contactor $\theta \leq 55^\circ\text{C}$			
I_e / Rated operational current DC-1	110 V	-	4 A
	220 V	-	0.6 A
DC-3 Utilization category for air temperature close to contactor $\theta \leq 55^\circ\text{C}$			
I_e / Rated operational current DC-3	110 V	-	1.5 A
	220 V	-	0.25 A
DC-5 Utilization category for air temperature close to contactor $\theta \leq 55^\circ\text{C}$			
I_e / Rated operational current DC-5	110 V	-	0.4 A
	220 V	-	0.2 A
Rated making capacity AC-3		10 x I_e AC-3 acc. to IEC 60947-4-1	
Rated breaking capacity AC-3		8 x I_e AC-3 acc. to IEC 60947-4-1	
Short-circuit protection device for contactors without thermal O/L relay - motor protection excluded $U_e \leq 500\text{ V AC}$ - fuse type gG		Type 1: 25 A / Type 2: 25 A	
Rated short-time withstand current I_{cw} at 40°C ambient temperature, in free air from a cold state	10 s	64 A	96 A
Maximum breaking capacity $\cos \phi = 0.45$	at 400 V	64 A	96 A
Maximum electrical switching frequency	AC-1	300 cycles/h	
	AC-3	600 cycles/h	
	DC-1, DC-3, DC-5	600 cycles/h	

B6, B7, BC6, BC7, TBC7 3- and 4-pole mini contactors VB6, VB7, VBC6, VBC7 3- and 4-pole mini reversing contactors

Technical data

Main pole – Utilization characteristics according to UL/NEMA/CSA

Contactor types	AC operated	B6, VB6, VB6A	B7, VB7, VB7A
	DC operated	BC6, VBC6, VBC6A	BC7, TBC7, VBC7, VBC7A
Standards	UL 508, CSA C22.2 N°14		
Maximum operational voltage	600 V		
UL/CSA general use rating	12 A / 300 V		16 A / 600 V
UL/CSA maximum 1-phase motor rating			
Full load current	120 V AC	5.8 A	13.8 A
	240 V AC	4.9 A	10.0 A
Horse power rating	120 V AC	0.25 hp	0.75 hp
	240 V AC	0.5 hp	1.5 hp
UL/CSA maximum 3-phase motor rating			
Full load current ¹⁾	200 / 208 V AC	4.8 / 4.6 A	7.8 / 10.6 A
	220-240 V AC	6.8 A	9.6 A
	440-480 V AC	4.8 A	7.6 A
	550-600 V AC	1.7 A	6.1 A
Horse power rating ¹⁾	200 / 208 V AC	1 hp	2 / 3 hp
	220-240 V AC	2 hp	3 hp
	440-480 V AC	3 hp	5 hp
	550-600 V AC	1 hp	5 hp
Resistive Heating	300 V per pole	8 A	8 A
Incandescent Lamps	300 V per pole	6 A	6 A
Fluorescent Lamps	300 V per pole	8.4 A	8.4 A
Short-circuit protection device for contactors without thermal overload relay - motor protection excluded			
Fuse rating	600 V	40 A	
Fuse type, 600 V	600 V	Class J	
Maximum electrical switching frequency			
For resistive loads AC-1	300 cycles/h		
For motor loads AC-3	600 cycles/h		

¹⁾ For the corresponding kW/A or hp/A values of 1500 r.p.m, 50 Hz or 1800 r.p.m, 60 Hz, 3-phase motors, see "Motor rated operational powers and currents".

General technical data

Contactor types	AC operated	B6, VB6, VB6A	B7, VB7, VB7A
	DC operated	BC6, VBC6, VBC6A	BC7, TBC7, VBC7, VBC7A
Rated insulation voltage U _i	690 V		
acc. to IEC 60947-4-1	690 V		
acc. to UL/CSA	600 V		
Rated impulse withstand voltage U _{imp}	6 kV		
Ambient air temperature, close to contactor			
Operation	Fitted with thermal overload relay	-25 ... +50 °C	
	Without thermal overload relay	-25 ... +55 °C	
Storage	-40 ... +80 °C		
Climatic withstand	Acc. to IEC 60947-1 Annex Q		
Maximum operating altitude (without derating)	2000 m		
Mechanical durability	10 ⁷ operating cycles		
Resistance to shock	Half-sine		
acc. IEC 60068-2-27 and EN 60068-2-27	15 g / 11 ms		
acc. to IEC/EN 60947-1 Annex. Q	Category E		
Resistance to vibrations	Sinusoidal		
acc. IEC 60068-2-27 and EN 60068-2-27	5 g / 3 ... 150 Hz		
acc. to IEC/EN 60947-1 Annex. Q	Category E		

B6, B7, BC6, BC7, TBC7 3- and 4-pole mini contactors

VB6, VB7, VBC6, VBC7 3- and 4-pole mini reversing contactors

Technical data

Magnet system characteristics for B6, B7 contactors

Contactor types	AC operated	B6, VB6	B7, VB7
Coil operating limits acc. to IEC 60947-4-1	AC supply	0.85 ... 1.1 x U _c	
AC control voltage		See ordering tables	
Rated control circuit voltage U _c		See ordering tables	
Coil consumption	Average pull-in value	3.5 VA / 3.5 W	
	Average holding value	3.5 VA / 3.5 W	
Drop-out voltage		0.20 ... 0.75 % of U _c	

Magnet system characteristics for BC6, BC7 contactors

Contactor types	DC operated	BC6, VBC6	BC7, VBC7
Coil operating limits acc. to IEC 60947-4-1	DC supply	0.85 ... 1.1 x U _c	
AC control voltage		See ordering tables	
Rated control circuit voltage U _c		See ordering tables	
Coil consumption ¹⁾	Average pull-in value	3.5 VA / 3.5 W	
	Average holding value	3.5 VA / 3.5 W	
Drop-out voltage in % of U _{c min}		0.10 ... 0.75 x U _c	

¹⁾ Interface mini-contactors: see coil consumption on ordering details pages

Magnet system characteristics for TBC7 contactors

Contactor types	DC operated	TBC7
Coil operating limits acc. to IEC 60947-4-1	DC supply	Wide range voltage supply see ordering tables, U _{c min} ... U _{c max}
AC control voltage		See ordering tables
Rated control circuit voltage U _c		See ordering tables
Coil consumption	Average pull-in value	5 VA / 5 W
	Average holding value	5 VA / 5 W
Drop-out voltage in % of U _{c min}		≤ 0.20 % of U _{c min}

Mounting characteristics and conditions for use

Contactor types	AC operated	B6, VB6, VB6A	B7, VB7, VB7A
	DC operated	BC6, VBC6, VBC6A	BC7, TBC7, VBC7, VBC7A
Mounting positions			
Mounting distances	The contactors can be assembled side by side		
Fixing	On rail acc. to IEC 60715, EN 60715		
	By screws (not supplied)		
	35 x 7.5 mm or 35 x 15 mm		
	2 x M4 screws placed diagonally		

B6, B7, BC6, BC7, TBC7 3- and 4-pole mini contactors VB6, VB7, VBC6, VBC7 3- and 4-pole mini reversing contactors

Technical data

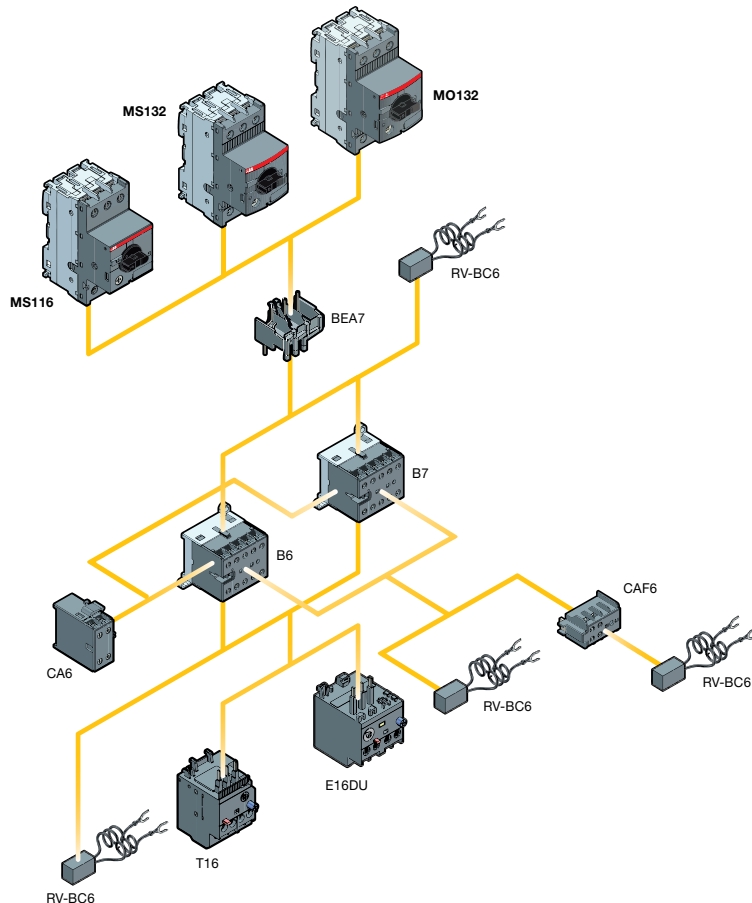
Auxiliary contacts for front mounting, side mounting and built-in according to IEC

Types	CA6, CAF6, built-in auxiliary contacts	
Standards	IEC/EN 60947-1, IEC/EN 60947-4-1	
Rated operational voltage U_e max	690 V	
Rated frequency (without derating)	DC or 50 / 60 Hz	
Conventional free-air thermal current I_m , $\theta \leq 40$ °C	6 A	
I_e / Rated operational current AC-15 acc. to IEC 60947-5-1	24 V 50/60 Hz	4 A
	110-120 V 50/60 Hz	4 A
	220-230-240 V 50/60 Hz	4 A
	380-400 V 50/60 Hz	3 A
	440 V 50/60 Hz	3 A
I_e / Rated operational current DC-13 acc. to IEC 60947-5-1	24 V DC	2.5 A
	110 V DC	0.7 A
	220 - 240 V DC	0.4 A
Short-circuit protection device	6 A, Type gG	
Minimum switching capacity with failure rate acc. to IEC 60947-5-4	17 V / 5 mA	
Maximum electrical switching frequency	AC-15	600 cycles/h
	DC-13	600 cycles/h

Auxiliary contacts for front mounting, side mounting and built-in according to UL/CSA

Types	CA6, CAF6, built-in auxiliary contacts	
Max. operational voltage	600 V AC	
Pilot duty	A600	
AC thermal rated current	5 A	

Accessories for mini contactors








2CDC212018F0011

2CDC102043C0201

B6, B7, BC6, BC7, TBC7 3- and 4-pole mini contactors VB6, VB7, VBC6, VBC7 3- and 4-pole mini reversing contactors

Technical data

Connection characteristics

Contactor types	AC operated	B6, VB6, VB6A	B7, VB7, VB7A
	DC operated	BC6, VBC6, VBC6A	BC7, TBC7, VBC7, VBC7A
Main terminals ¹⁾	 Screw terminals with cable clamp		
Connection capacity			
Main conductors (poles)			
 Rigid: solid	1 or 2 x	1 ... 4 mm ²	
 Flexible without ferrule	1 or 2 x	1 ... 2.5 mm ²	
Connection capacity acc. to UL/CSA	1 or 2 x	AWG 22 ... 10	
Stripping length	9 mm		
Tightening torques	0.8 ... 1.1 Nm / 7 lb.in		
Connection capacity – auxiliary conductors (built-in auxiliary terminals + coil terminals)			
 Rigid: solid	1 or 2 x	1 ... 4 mm ²	
 Flexible without ferrule	1 or 2 x	1 ... 2.5 mm ²	
Connection capacity acc. to UL/CSA	1 or 2 x	AWG 22 ... 10	
Stripping length	9 mm		
Tightening torques	0.8 ... 1.1 Nm / 7 lb.in		
Coil terminals	0.8 ... 1.1 Nm / 7 lb.in		
Built-in auxiliary terminals	0.8 ... 1.1 Nm / 7 lb.in		
Degree of protection acc. to IEC 60947-1 / EN 60947-1 and IEC 60529 / EN 60529			
Main terminals	IP20		
Coil terminals	IP20		
Built-in auxiliary terminals	IP20		
Screw terminals (Delivered in open position, screws of unused terminals must be tightened)			
All terminals	M3		
Screwdriver type	Flat Ø 5.5 mm / Pozidriv 1		

¹⁾ Soldering pin connection acc. to DIN 40801: 0.8 x 1 mm / 0.8 x 2.54 mm
Flat pin connection acc. to DIN 46248: 1 x 6.3 mm / 1 x 2.8 mm

K6, KC6, TKC6 4-pole mini contactor relays

Technical data

Main pole – Utilization characteristics according to IEC

Contactor types	AC operated	K6
	DC operated	KC6, TKC6
Standards	IEC/EN 60947-1, IEC/EN 60947-4-1, IEC/EN 60947-5-1	
Rated operational voltage U_{max}	690 V	
Rated frequency (without derating)	DC or 50 / 60 Hz	
Conventional free-air thermal current I_{th} , $\theta \leq 40$ °C	6 A	
I_{e} / Rated operational current AC-15 acc. to IEC 60947-5-1	24 V 50/60 Hz	4 A
	110-120 V 50/60 Hz	4 A
	220-230-240 V 50/60 Hz	4 A
	380-400 V 50/60 Hz	3 A
	440 V 50/60 Hz	3 A
	480-500 V 50/60 Hz	2 A
I_{e} / Rated operational current DC-13 acc. to IEC 60947-5-1	24 V DC	2.5 A
	110 V DC	0.7 A
	220-240 V DC	0.4 A
Short-circuit protection device for contactors $U_{\text{e}} \leq 500$ V AC, fuse type gG	6 A	
Minimum switching capacity	17 V / 5 mA	
Maximum electrical switching frequency	AC-15	600 cycles/h
	DC-13	600 cycles/h

Main pole – Utilization characteristics according to UL/NEMA/CSA

Contactor types	AC operated	K6
	DC operated	KC6, TKC6
Standards	UL 508, CSA C22.2 No14	
Maximum operational voltage	600 V AC	
Pilot duty	A600	

K6, KC6, TKC6 4-pole mini contactor relays

Technical data

General technical data

Contactor relay types	AC operated	K6
	DC operated	KC6, TKC6
Rated insulation voltage U_i	acc. to IEC 60947-5-1	690 V
	acc. to UL/CSA	600 V
Rated impulse withstand voltage U_{imp}		6 kV
Electromagnetic compatibility		
Ambient air temperature close to contactor relay	Operation in free air	-25 ... +55 °C
	Storage	-40 ... +80 °C
Climatic withstand		Acc. to IEC 60068-2-30
Maximum operating altitude (without derating)		2000 m
Mechanical durability		10 ⁷ operating cycles
Resistance to shock		Half-sine
	acc. IEC 60068-2-27 and EN 60068-2-27	15 g / 11ms
	acc. to IEC/EN 60947-1 Annex. Q	Category E
Resistance to vibrations		Sinusoidal
	acc. IEC 60068-2-27 and EN 60068-2-27	5 g / 3 ... 150 Hz
	acc. to IEC/EN 60947-1 Annex. Q	Category E

Magnet system characteristics for K6 contactor relays

Contactor relay types	AC operated	K6	
Coil operating limits acc. to IEC 60947-4-1	AC supply	0.85 ... 1.1 x U_c	
AC control voltage	Coil consumption	Average pull-in value	3.5 VA / 3.5 W
		Average holding value	3.5 VA / 3.5 W
	Drop-out voltage in % of U_c min.		Approx. 20 ... 75%

Magnet system characteristics for KC6, TKC6 contactor relays

Contactor relay types	DC operated	KC6	TKC6	
Coil operating limits acc. to IEC 60947-5-1	DC supply	0.85 ... 1.1 x U_c	See ordering details	
DC control voltage	Coil consumption	Average pull-in value	3.5 VA / 3.5 W	5 VA / 5 W
		Average holding value	3.5 VA / 3.5 W	5 VA / 5 W
	Drop-out voltage in % of U_c min.		10 ... 75 %	10 ... 75 %

K6, KC6, TKC6 4-pole mini contactor relays

Technical data

Mounting characteristics and conditions for use

3 Contactor types	AC operated	K6
	DC operated	KC6, TKC6
Mounting positions		
Mounting distances	The contactors can be assembled side by side.	
Fixing	<p>On rail acc. to IEC 60715, EN 60715</p> <p>By screws (not supplied)</p>	
	35 x 7.5 mm or 35 x 15 mm	2 x M4 screws placed diagonally

Connecting characteristics

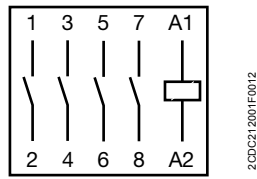
Contactor relay types	AC operated	K6
	DC operated	KC6, TKC6
Main terminals ¹⁾	<p>Screw terminals with cable clamp</p>	
Connection capacity	<p>Main conductors (poles)</p> <p> Rigid: solid 1 or 2 x 1 ... 4 mm²</p> <p> Flexible without ferrule 1 or 2 x 1 ... 2.5 mm²</p> <p>Connection capacity acc. to UL/CSA 1 or 2 x AWG 22 ... 10</p> <p>Stripping length 9 mm</p> <p>Tightening torques 0.8 ... 1.1 Nm / 7 lb.in</p>	
Degree of protection	<p>acc. to IEC 60947-1 / EN 60947-1 and IEC 60529 / EN 60529</p> <p>All IP20</p>	
Screw terminals	<p>(Delivered in open position, screws of unused terminals must be tightened)</p> <p>All terminals M3</p>	
Screwdriver type	Flat Ø 5.5 / Pozidriv 1	

¹⁾ Soldering pin connection acc. to DIN 40801: 0.8 x 1 mm / 0.8 x 2.54 mm
 Flat pin connection acc. to DIN 46248: 1 x 6.3 mm / 1 x 2.8 mm

Mini contactors

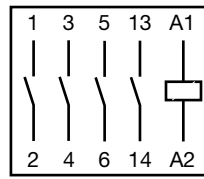
Location of the connection terminals and terminal designation

Mini contactors



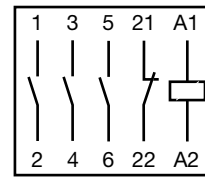
2CDC212001F0012

B6(7)-40-00 ...
BC6(7)-40-00 ...



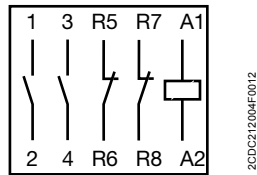
2CDC212002F0012

B6(7)-30-10 ...
BC6(7)-30-10 ...



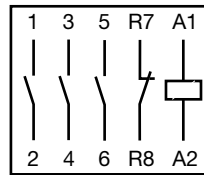
2CDC212003F0012

B6(7)-30-01 ...
BC6(7)-30-01 ...



2CDC212004F0012

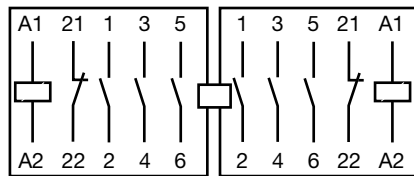
B6(7)-22-00 ...
BC6(7)-22-00 ...



2CDC212005F0012

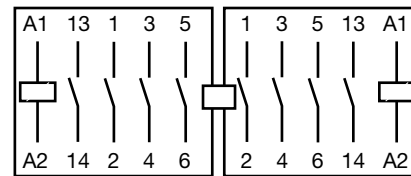
B6(7)-31-00 ...
BC6(7)-31-00 ...

Compact reversing contactors



2CDC212006F0012

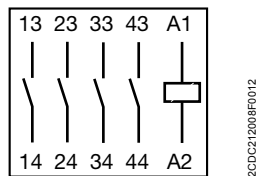
VB6(7)-30-01 ...
VBC6(7)-30-01 ...



2CDC212007F0012

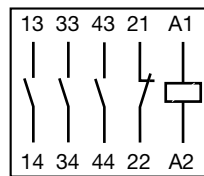
VB6(7)-30-10 ...
VBC6(7)-30-10 ...

Mini contactor relays



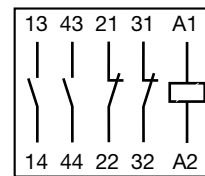
2CDC212008F0012

K6-40E ...
KC6-40E ...



2CDC212009F0012

K6-31Z ...
KC6-31Z ...

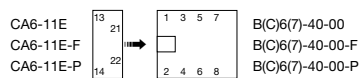


2CDC212010F0012

K6-22Z ...
KC6-22Z ...

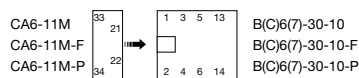
Auxiliary switches

CA6...



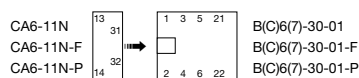
2CDC212011F0012

B(C)6(7)-40-00
B(C)6(7)-40-00-F
B(C)6(7)-40-00-P



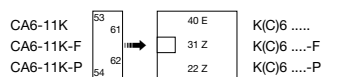
2CDC212012F0012

B(C)6(7)-30-10
B(C)6(7)-30-10-F
B(C)6(7)-30-10-P



2CDC212013F0012

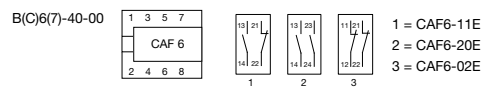
B(C)6(7)-30-01
B(C)6(7)-30-01-F
B(C)6(7)-30-01-P



2CDC212014F0012

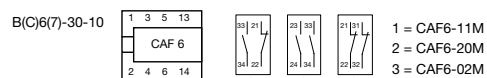
K(C)6
K(C)6-F
K(C)6-P

CAF...



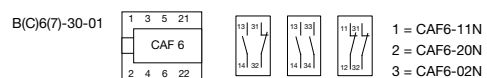
2CDC212015F0012

1 = CAF6-11E
2 = CAF6-20E
3 = CAF6-02E



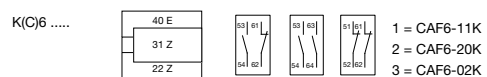
2CDC212016F0012

1 = CAF6-11M
2 = CAF6-20M
3 = CAF6-02M



2CDC212017F0012

1 = CAF6-11N
2 = CAF6-20N
3 = CAF6-02N



2CDC212018F0012

1 = CAF6-11K
2 = CAF6-20K
3 = CAF6-02K

Contact us

ABB STOTZ-KONTAKT GmbH

Eppelheimer Straße 82
69123 Heidelberg, Germany
Phone: +49 (0) 6221 701-0
Fax: +49 (0) 6221 701-1325
E-Mail: info.desto@de.abb.com

www.abb.com

You can find the address of your local sales organization
on the ABB home page
<http://www.abb.com/contacts> -> Low-voltage products

Note:

We reserve the right to make technical changes or modify the contents of this document without prior notice. With regard to purchase orders, the agreed particulars shall prevail. ABB AG does not accept any responsibility whatsoever for potential errors or possible lack of information in this document.

We reserve all rights in this document and in the subject matter and illustrations contained therein. Any reproduction, disclosure to third parties or utilization of its contents – in whole or in parts – is forbidden without prior written consent of ABB AG.

Copyright © 2015 ABB
All rights reserved